

ElbowLOC[®] Arm Positioning System

Surgical Technique



ElbowLOC® Arm Positioning System

Introduction

The Arthrex ElbowLOC® Arm Positioning System is an upper-extremity positioning device designed specifically for surgery from the mid-humerus to the fingers in one self-contained sterile system. It's easy to assemble and intuitive to use. The system enables traction across the elbow or wrist and unhindered intraoperative elbow motion and forearm manipulation, depending on the fracture and reduction needed. The system offers the surgeon the choice of supine, lateral, or supine suspended positioning for elbow surgery as well as a wrist tower traction system for wrist and hand surgery.

The ElbowLOC Arm Positioning System was designed to position the patient while treating the following:

- Arthroscopy of the elbow and wrist
- Periarticular fractures about the elbow and wrist
- Distal humerus fractures
- Instability procedures of the elbow and wrist
- Proximal, diaphyseal, and distal ulna fractures
- Total elbow arthroplasty
- Ulnar nerve surgery
- Triceps repairs
- Olecranon bursa excisions, and many more

The ElbowLOC Arm Positioning System features:

- Entire four-positioner system contained in one autoclavable case
- Supine, lateral, or supine suspended positioning for elbow surgery
- Rigid wrist tower fixation
- All assemblies applied sterile over drapes to standard OR table railing
- Sterile disposable field kits for elbow procedures
- Nylon double finger traps for wrist surgery

Supine Position



Supine Suspended



Lateral Position



Wrist Tower

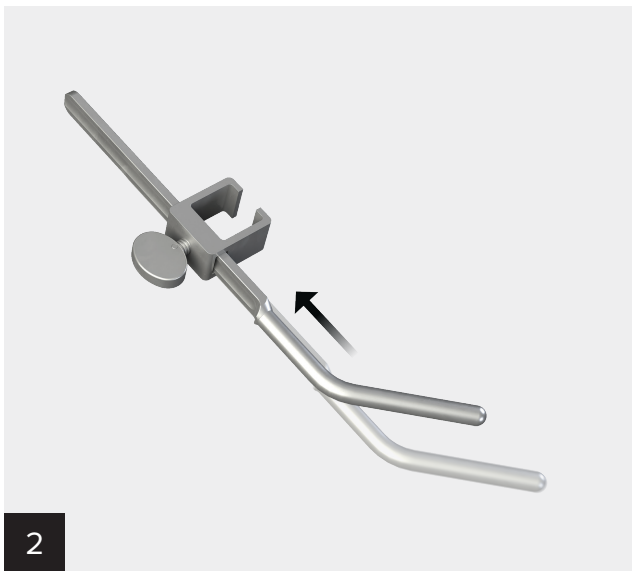
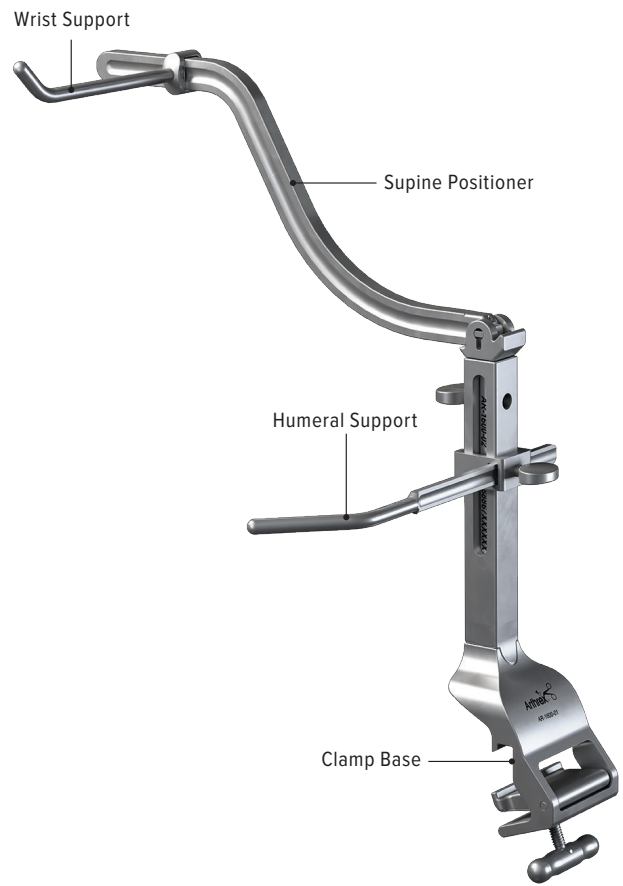


Supine Positioner Assembly Technique



1
Position the patient supine on the OR table with the shoulder of the operative arm slightly overhanging the lateral margin of the mattress.

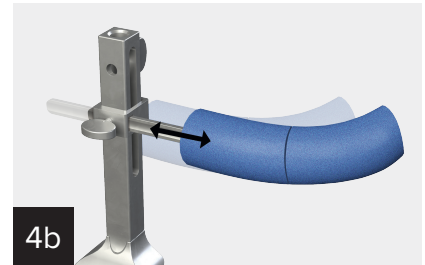
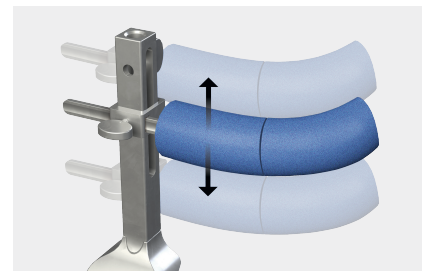
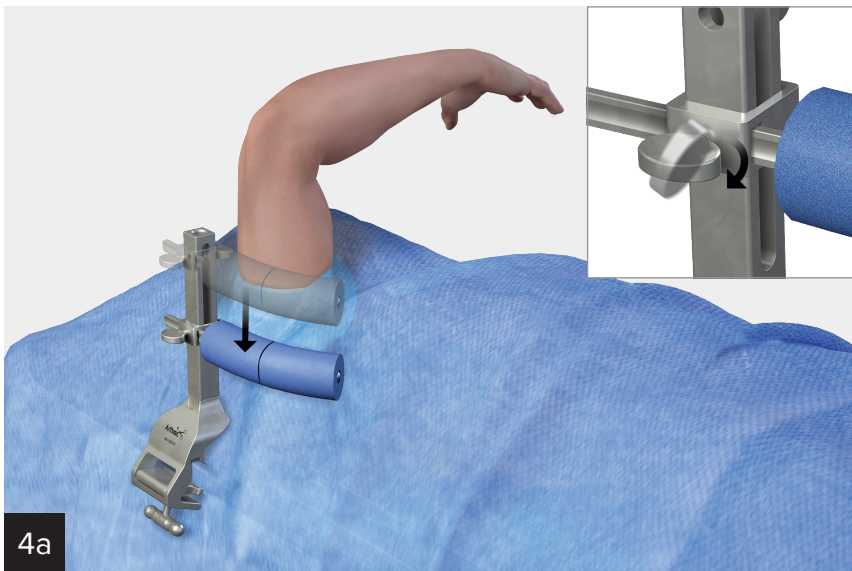
Secure the clamp base to the OR table railing just cephalad to the patient's shoulder. Firmly tighten the "T" handle (image inset). Ensure the rail clamp is fully seated onto the railing and the clamp base fully vertical.



2
Assemble the humeral support by sliding the L-shaped support bar through the humeral collet.



3
Place the foam protector pads from the sterile field kit or hand tower kit over the humeral support bar.



4a Load the humeral support bar and collet onto the clamp base. Tighten the collet locking screw (inset image) at the desired width and height.

4b The humeral support bar can be adjusted vertically and horizontally to orient the humerus as needed.

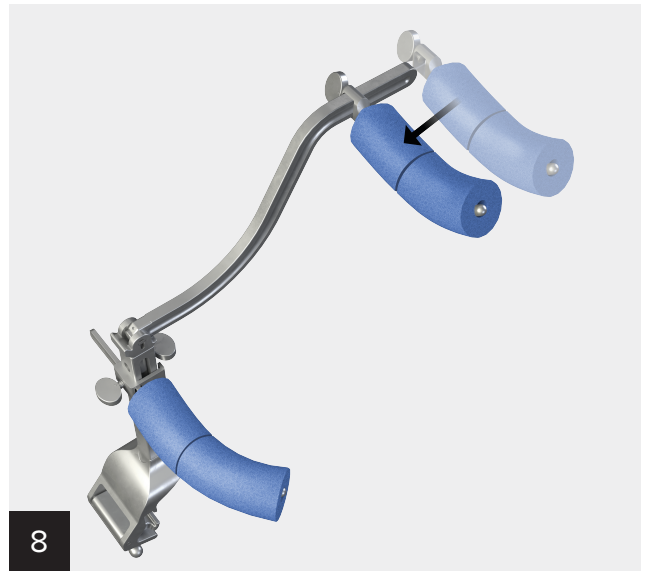


5 Load the curved supine positioner into the clamp base.

6 Firmly tighten the locking screw on the inner face of the clamp base at the desired positioner height.



Assemble the sterile field kit foam pads on the wrist support bar.



Slide the wrist support over the distal aspect of the supine positioner and secure at the desired position.



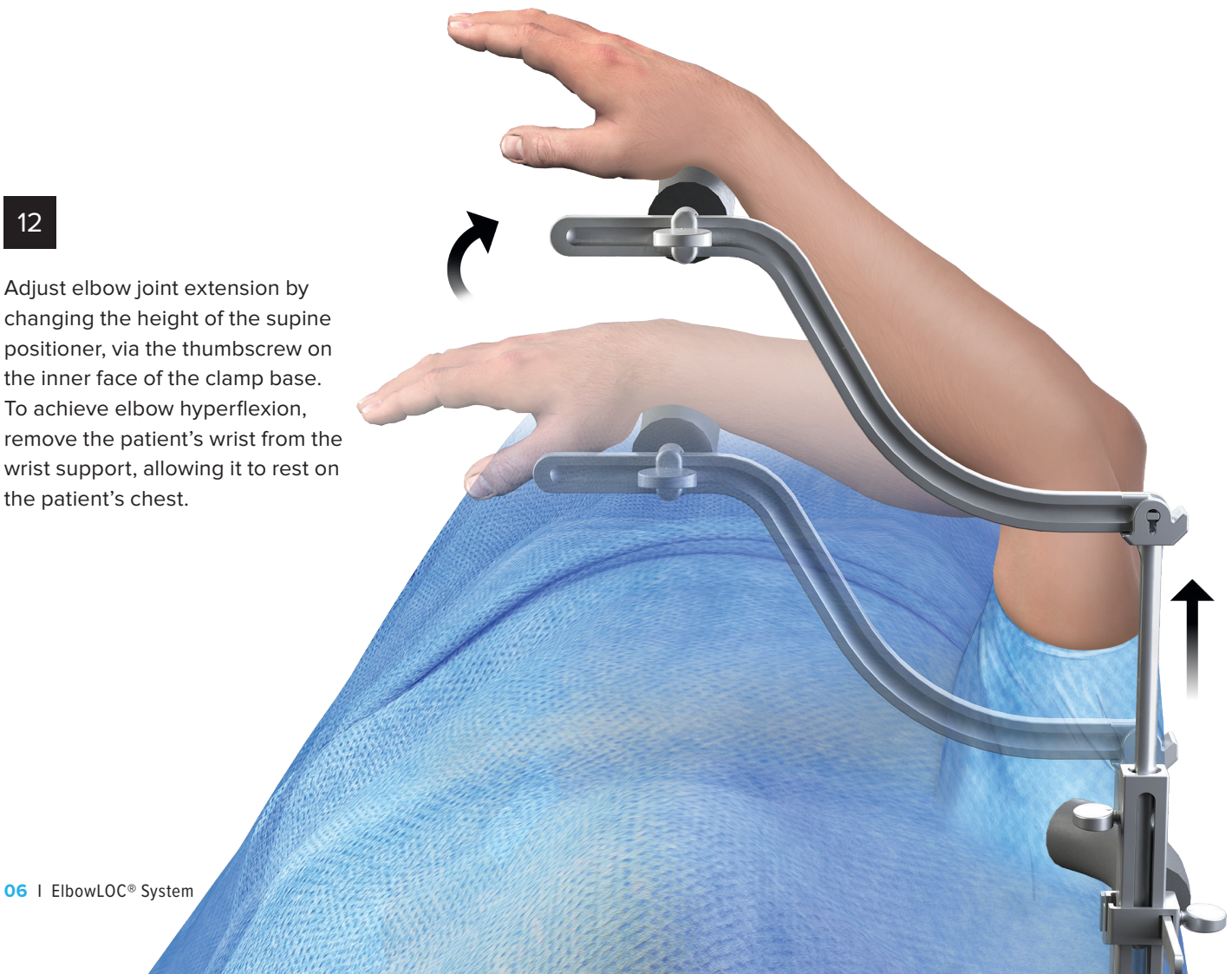
Place the patient's wrist on the padded support.



A sterile strap may be used to secure the arm to the positioner, as needed.

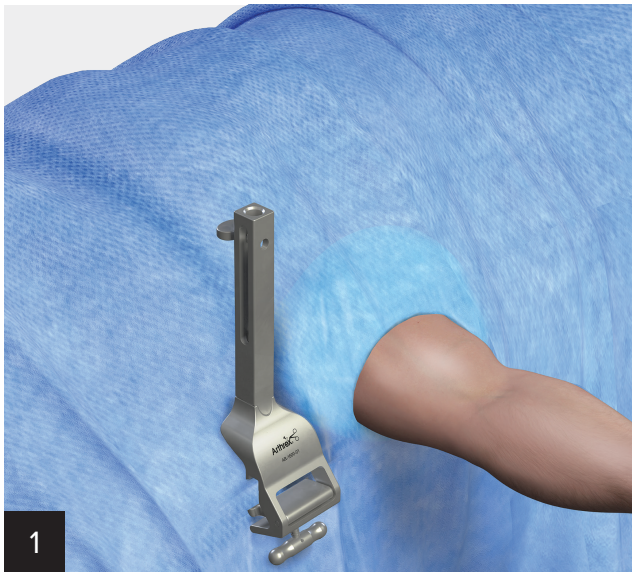


The reducer/distractor component may be applied to the concavity of the supine positioner and oriented as desired to provide countertraction to the distal humerus or proximal forearm as needed for fracture reduction or distraction. In taller patients, the reducer/distractor may also serve as an elevated wrist support.

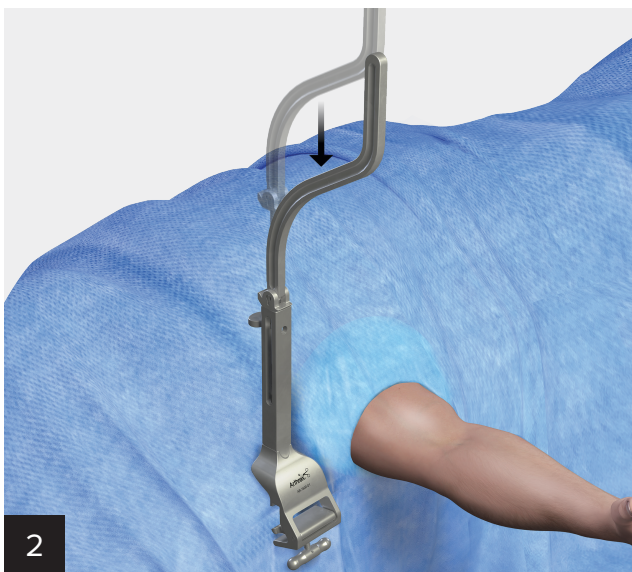
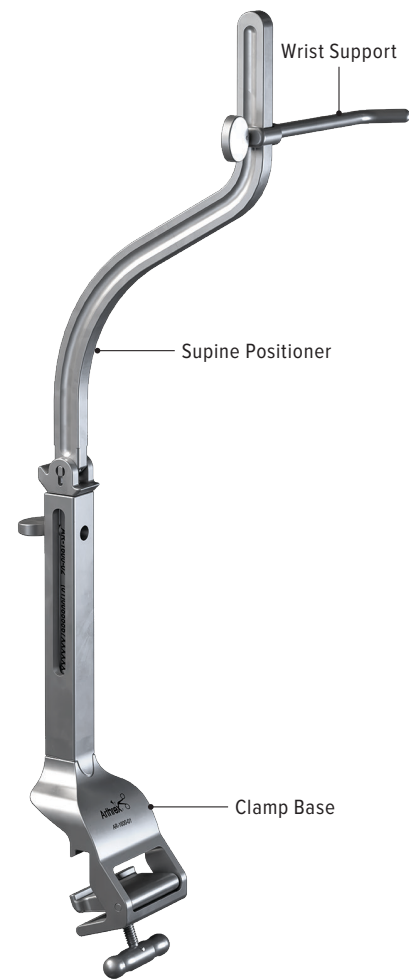


Adjust elbow joint extension by changing the height of the supine positioner, via the thumbscrew on the inner face of the clamp base. To achieve elbow hyperflexion, remove the patient's wrist from the wrist support, allowing it to rest on the patient's chest.

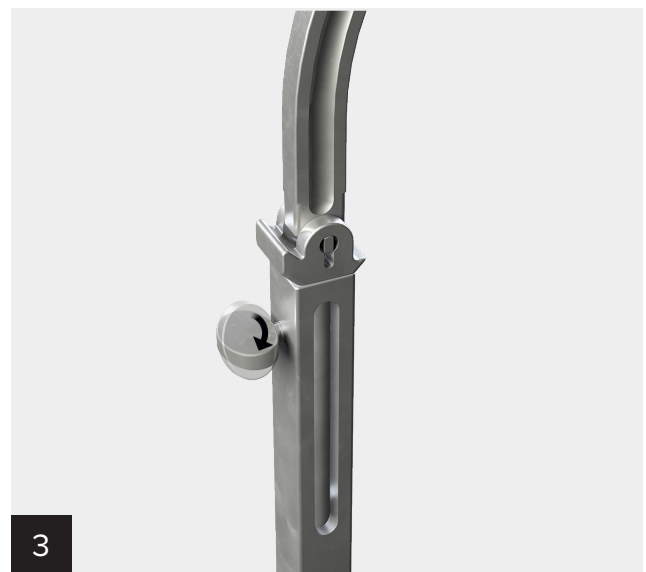
Supine Suspended Positioner Assembly Technique



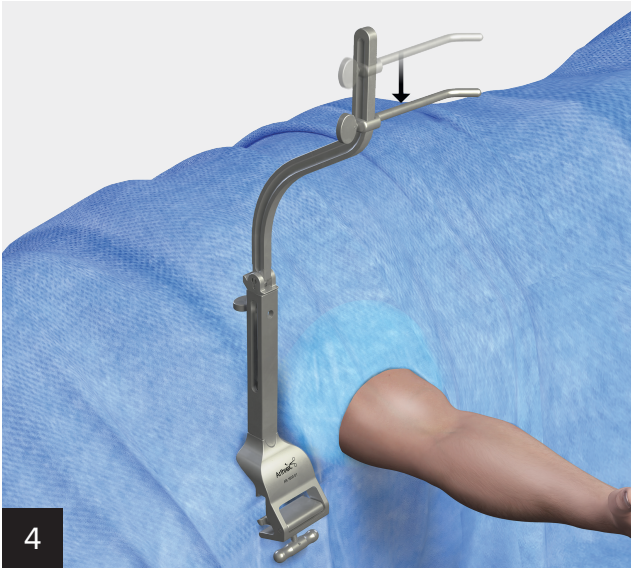
Position the patient supine on the OR table and prepare the arm in the usual sterile manner. Apply the clamp base to the OR table cephalad to the patient's shoulder and firmly tighten the "T" handle.



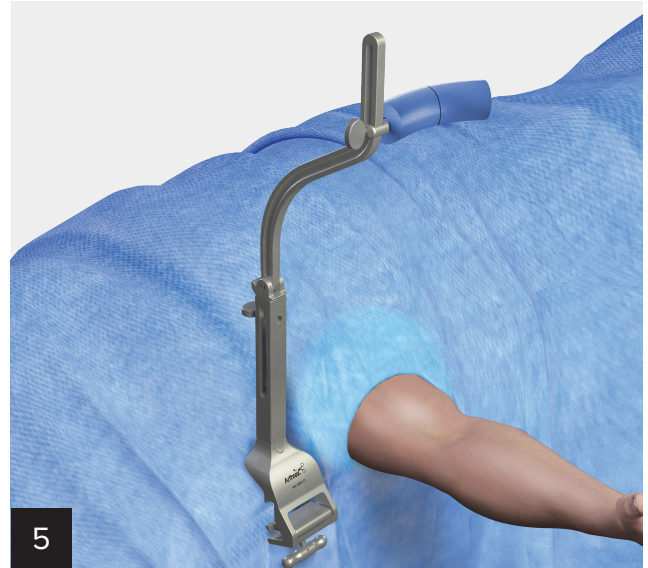
Load the supine positioner into the clamp base.



Secure the supine positioner into place at the chosen height via the thumbscrew on the inner face of the clamp base.



4 Load the wrist support onto the end of the supine positioner.



5 Place the sterile field kit pads onto the bar.

6

Secure the patient's gripped hand to the padded support with a cohesive bandage.

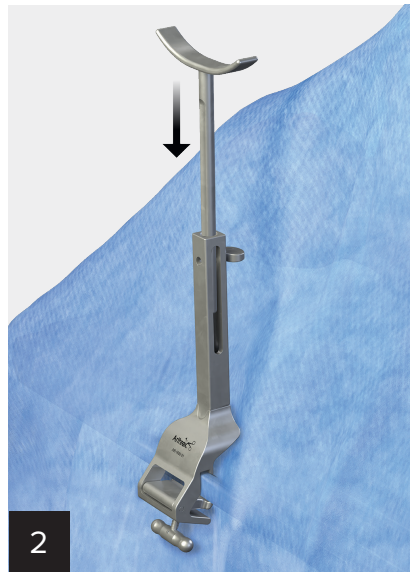
Elbow flexion and extension are achieved by adjusting the height of the supine positioner in the clamp base.



Lateral Positioner Assembly Technique



Position and prepare the patient in the standard lateral decubitus position. Secure the clamp base to the OR table railing at the level of the patient's operative shoulder.



Insert the U-shaped lateral positioner into the clamp base.



Apply the sterile field kit protector pads to the arms of the lateral positioner and tighten the knob to secure the positioner.



Place the patient's arm into the padded cradle. Adjust positioner height via the thumbscrew on the inner face of the clamp base.

Wrist Traction Positioner Assembly Instructions



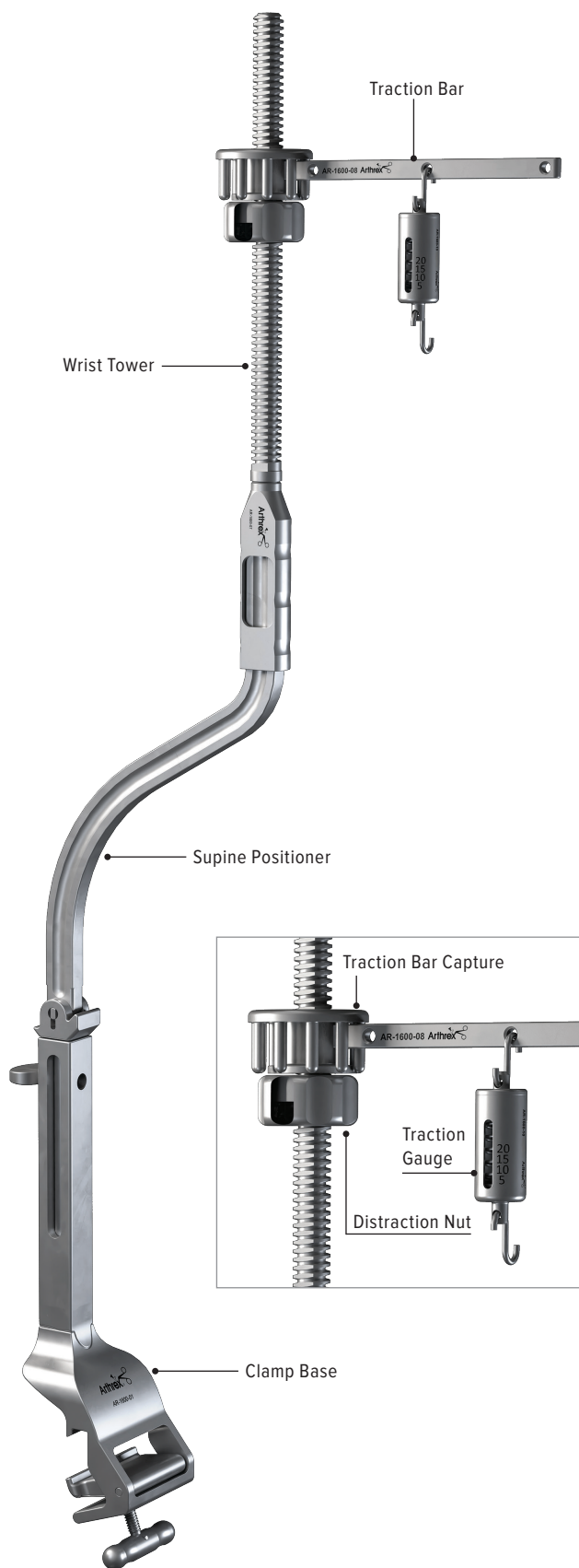
Attach a hand table to the OR table railing, centering it on the patient's shoulder. Secure the patient's upper arm to the padded table. Nonsterile 6-in cohesive bandage is typically wrapped around the table and the patient's upper arm (as shown). Prepare and drape the arm in your usual manner.

Secure the clamp base to the OR table railing immediately distal to the hand table surface and firmly tighten the "T" handle. Ensure the clamp base is fully seated onto the railing.

Seat the supine positioner into the clamp base and rotate/lock the supine positioner into its extended or vertical position. Secure the supine positioner via the thumb screw.

Advance the distraction nut onto the wrist tower and fully seat the wrist tower onto the supine positioner.

Load the wrist tower traction bar onto the wrist tower and allow it to sit flush on the flat surface of the distraction nut. Place the traction gauge at the chosen location on the traction bar. Apply the appropriate-size finger traps onto the selected digits and hook the traps onto the traction gauge. Traction is indicated on the gauge and adjusted by advancing the distraction nut along the wrist tower or by adjusting the height of the supine positioner within the clamp base. The traction bar capture may be placed over the traction bar housing to eliminate bar rotation, if desired.



Ordering Information

ElbowLOC® Arm Positioning System (AR-1600S)

Product Description	Item Number
Clamp Base	AR-1600-1
Supine Positioner	AR-1600-2
Lateral Positioner	AR-1600-3
Wrist Support/Capture	AR-1600-4
Humeral Support/Capture	AR-1600-5
Reducer/Distractor	AR-1600-6
Wrist Tower	AR-1600-7
Traction Bar	AR-1600-8
Traction Bar Capture	AR-1600-9
Traction Gauge	AR-1600-10
Distraction Nut	AR-1600-11
Instrument Case	AR-1600C

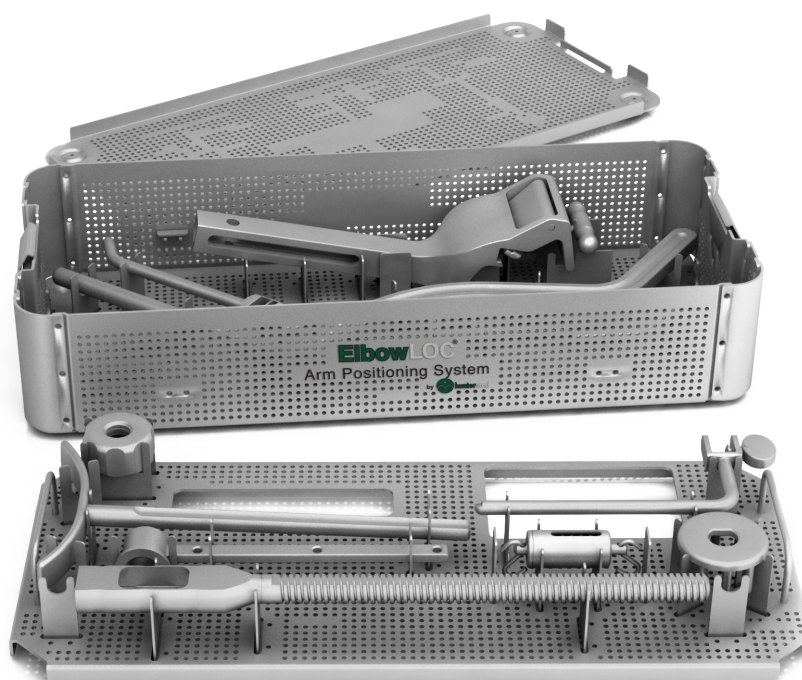
Disposables

Product Description	Item Number
Finger Traps	
Double Finger Trap, small	AR-1600-FTS-S
Double Finger Trap, medium	AR-1600-FTS-M
Double Finger Trap, large	AR-1600-FTS-L
Double Finger Trap, x-large	AR-1600-FTS-X

Field Kit

Product Description	Item Number
Wrist Traction Tower Field Kit	AR-1617

Products advertised in this brochure/surgical technique guide may not be available in all countries. For information on availability, please contact Arthrex Customer Service or your local Arthrex representative.





This description of technique is provided as an educational tool and clinical aid to assist properly licensed medical professionals in the usage of specific Arthrex products. As part of this professional usage, the medical professional must use their professional judgment in making any final determinations in product usage and technique. In doing so, the medical professional should rely on their own training and experience, and should conduct a thorough review of pertinent medical literature and the product's directions for use. Postoperative management is patient-specific and dependent on the treating professional's assessment. Individual results will vary and not all patients will experience the same postoperative activity level and/or outcomes.

arthrex.com

© 2024-10 Arthrex Inc. All rights reserved. LT1-000303-en-US_A



Arthrex manufacturer,
authorized representative,
and importer information
(Arthrex eIFUs)



US patent information