

# Synergy<sup>UHD4™</sup> Imaging

4K Vision. LED. Image Management. Integration.



Arthrex®





---

## Revolutionizing Arthroscopy

Introducing ultra–high-definition (UHD) 4K video imaging, high-output LED light source, image management system, and integration – synergized into one unit and easily controlled from a tablet.

Arthrex’s **Synergy<sup>UHD4</sup>** 4K imaging is a commanding imaging platform that features a true UHD 4K programmable camera head, an LED “xenon-bright” light source, an image management system, and fiber optic video-over-IP integration all in one tablet-controlled device. The network-based system allows live video streaming from any authorized remote viewer.

### **Synergy Surgeon App™ Patient Communication Software**

Arthrex’s Synergy Surgeon iPad® application provides physicians with tools to manage stills, video recordings, and patient education. Using an iPad, physicians can review, edit, annotate, and tag stills and video recordings, as well as create and instantly transmit images and educational postoperative reports to patients.

*With Synergy, our advancement in arthroscopy is continued.*

\*iPad is a registered trademark of Apple, Inc.

## Synergy<sup>UHD4</sup>™ 4K Imaging Platform



The Synergy<sup>UHD4</sup> imaging platform was the first endoscopic 4K camera system on the market. The console integrates 3 devices into 1 and revolutionizes endoscopic visualization and image management. The Synergy<sup>UHD4</sup> system combines the latest technology, true 4K camera heads, LED lighting, image management, and integration with an intuitive tablet controller. One console and a single unique tablet interface simplify use. Programmable individual surgeon/procedure preferences enhance the user experience. The 4K image displayed on the monitor has 4 times the resolution of standard HD.

### Synergy<sup>UHD4</sup> Console

Product Description	Item Number
Synergy <sup>UHD4</sup> 4K console with Synergy Matrix™ encoder	AR-3200-0020
Synergy <sup>UHD4</sup> 4K console (a)	AR-3200-0021
Synergy <sup>UHD4</sup> digital documentation tablet (b)	AR-3200-1013

### Image Management System

- Still capture and video recording
- Export to USB, iPad®, and network locations such as PACS or network folder
- Network-based system allows live video streaming to any authorized remote viewer
- Export images to the Synergy Surgeon App software:
  - Review and edit still images and videos
  - Annotate on stills
  - Create presentations and postoperative reports for patients

### LED Light Source

- Solid-state “xenon bright” LED light source comparable to 300-watt xenon light sources
- Cost-effective with bulb life >30000 hours
- Low heat generation
- Automatic brightness adjustment

### Synergy<sup>UHD4</sup> Tablet Controller

Our unique and innovative remote “tablet” interface allows users to remotely and efficiently enter patient information, surgeon preferences, and image management settings once. The Synergy<sup>UHD4</sup> tablet controller may help reduce cost, shorten OR times, and increase efficiency.

Product Description	Item Number
Synergy <sup>UHD4</sup> digital documentation tablet	AR-3200-1016



## UHD 4K and 1080p HD Monitors



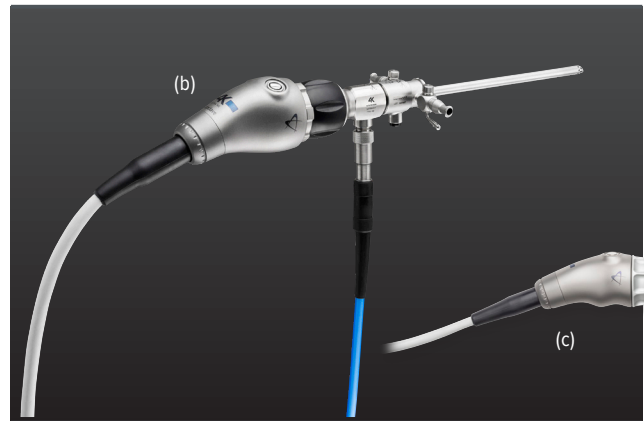
- UHD 4K medical display and 1080p HD medical display options
- Picture-in-picture and side-by-side display modes
- Versatile multiformat signal support
- With and without Synergy Matrix enabled

Product Description	Item Number
HD monitor, OLED, 25"	AR-3250-2602
HD monitor with Matrix decoder, LED, 26"	AR-3250-2604
HD monitor, LED, 26"	AR-3250-2606
HD monitor, LED, 32"	AR-3250-3206
UHD 4K monitor, LED, 32" black (a)	AR-3250-3209
UHD 4K monitor with Synergy Matrix™ decoder, LED, 32", black	AR-3250-3210
UHD 4K monitor, 55"	K9307930
UHD 4K monitor with Synergy Matrix decoder, 55"	K9307931
UHD 4K monitor with Synergy Matrix decoder, 58"	991932207081

## Monitor Covers

Product Description	Item Number
Protection cover for 32" monitor, black	703459-15
Protection cover for 26" monitor, black	703458-15
Tablet cover for UHD4, black	703510-15

## 4K and HD Camera Heads



Synergy<sup>UHD4™</sup> camera heads provide true 4K or 1080p HD resolution. With 4 times the resolution and improved color reproduction compared to HD, the picture increases depth perception and creates more precise color. The newly designed, smaller heads still carry the industry-leading standard autoclavable warranty while maintaining the comfortable, ergonomic design started with the Synergy<sup>HD3™</sup> heads. With multiple configurations, the UHD4 heads are adaptable to multi-specialty accounts and continue to lead the arthroscopy market.

### Camera Heads

Product Description	Item Number
HD Synergy <sup>UHD4</sup> camera head, autoclavable	AR-3210-0018
HD Synergy <sup>UHD4</sup> C-mount camera head, autoclavable	AR-3210-0021
HD Synergy <sup>UHD4</sup> C-mount camera head, 0°, autoclavable	AR-3210-0022
4K Synergy <sup>UHD4</sup> C-mount camera head, 0°, autoclavable	AR-3210-0026
4K Synergy <sup>UHD4</sup> C-mount with 6.1 m cable, autoclavable	AR-3210-0028
4K Synergy <sup>UHD4</sup> camera head, broadband, autoclavable	AR-3210-0029
4K Synergy <sup>UHD4</sup> C-mount camera head, broadband, autoclavable (b)	AR-3210-0030
4K Synergy <sup>UHD4</sup> Ultra camera head, autoclavable (c)	AR-3210-0031
4K Synergy <sup>UHD4</sup> Ultra C-mount camera head, autoclavable	AR-3210-0032

## 4K and HD Sheathless Arthroscopes



The Arthrex sheathless arthroscope will revolutionize the way arthroscopic procedures are performed. By eliminating bulky scope sheaths, obturators, and switching sticks, we've made changes to viewing portals quick and efficient. Fluid extravasation due to repeated portal changes is minimized by maintaining operative cannulas in all portals. The sheathless arthroscope is designed and constructed with additional structural support along its length to stand up to normal stresses without a sheath. The sheathless arthroscope will reduce surgical times by expediting portal changes and ending distention loss.

### 5.2 mm 4K Sheathless Arthroscopes

Product Description	Item Number
Sheathless 4K arthroscope, 30°, 5.2 mm × 160 mm	AR-3350-5430
Sheathless 4K arthroscope, 70°, 5.2 mm × 162 mm	AR-3350-5070

### 5 mm 4K Sheathless Arthroscopes

Product Description	Item Number
Sheathless C-mount 4K arthroscope, 30°, 5 mm × 160 mm	AR-3355-5430
Sheathless C-mount 4K arthroscope, 70°, 5 mm × 162 mm	AR-3355-5470

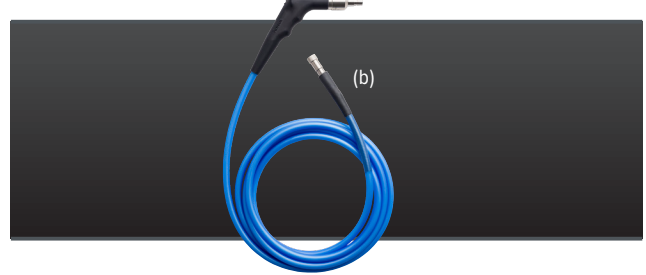
### 4 mm Sheathless Arthroscopes

Product Description	Item Number
Sheathless HD arthroscope, 30°, 4 mm × 134 mm (a)	AR-3350-5030
Sheathless HD arthroscope, 70°, 4 mm × 138 mm	AR-3350-5070

### 3 mm Sheathless Arthroscopes

Product Description	Item Number
Sheathless HD arthroscope, 30°, 3 mm × 115 mm	AR-3350-3530
Sheathless HD arthroscope, 70°, 3 mm × 117 mm	AR-3350-3570

## Light Guides



Arthrex's light guides are made from hundreds of high-quality fibers. Instead of gluing fibers, we fuse ours at the proximal end to maximize light transmission. The unique handle increases durability and prevents accidental removal of the light guide. Additionally, our transparent casing makes it easier to monitor when to replace light guides.

Product Description	Item Number
Light guide cable, blue, 5 mm × 2.7 m (b)	AR-3240-5027
Light guide cable, grey, 5 mm × 2.7 m	AR-3240-5028
Light guide cable, blue, 3.5 mm × 2.7 m	AR-3240-3527
Light guide cable, blue, 5 mm × 4 m	AR-3240-5040
Light guide cable, grey, 5 mm × 2.7 m, 90° distal end	SS9-GYW50W108
Light guide cable, grey, universal, 3.5 mm × 2.7 m	AR-3240-3530

### Adapters for Universal Light Guide

Product Description	Item Number
Wolf adapter	AR-3240-3530W
Storz adapter	AR-3240-3530S
Olympus adapter	AR-3240-3530O
ACMI adapter	AR-3240-3530A

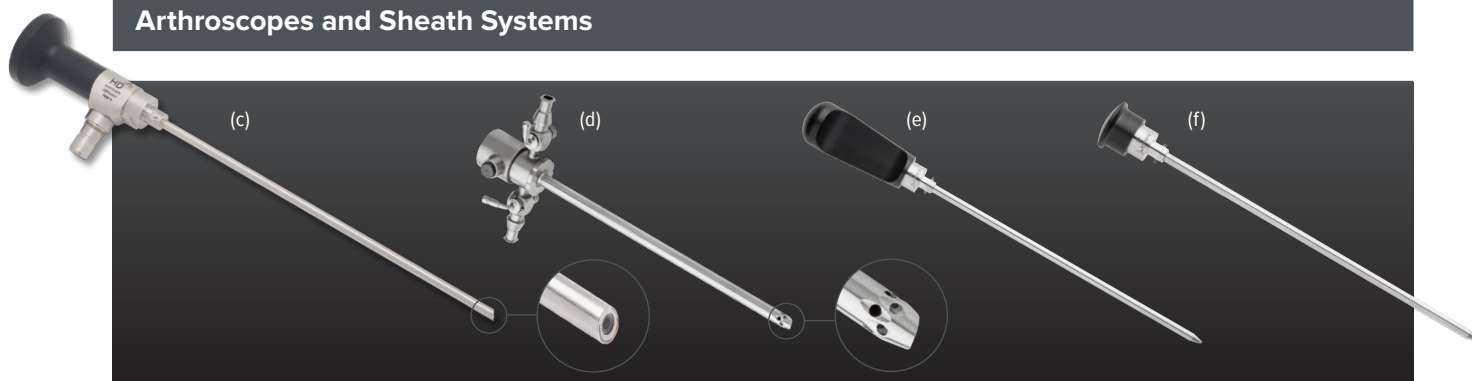
## StarFish™ Scope Attachment

The StarFish scope rotation attachment connects to the Synergy 4 mm and 3 mm arthroscopes and the 5.5 mm laparoscopes. The StarFish attachment protrudes proximally toward the camera head, which allows 1-handed directional changes without the use of the light cord.

Product Description	Item Number
StarFish scope attachment	AR-3370-0006
StarFish C-mount scope attachment	AR-3370-0008



## Arthroscopes and Sheath Systems



### 4.8 mm 4K Arthroscopes

Product Description	Item Number
4K arthroscope, 30°, 4.8 mm x 152.5 mm	AR-3350-5230
4K arthroscope, 70°, 4.8 mm x 156 mm	AR-3350-5270
4K C-mount arthroscope, 30°, 4.8 mm x 152.5 mm	AR-3355-5230
4K C-mount arthroscope, 70°, 4.8 mm x 156 mm	AR-3355-5270

### Sheaths and Obturators for 4.8 mm 4K Arthroscopes

Product Description	Item Number
Sheath for 4.8 mm scopes, single stopcock	AR-3373-5001
Sheath for 4.8 mm scopes, double stopcock	AR-3373-5002
Conical obturator with handle (e)	AR-3375-5001
Sharp trocar with handle	AR-3375-5002
Cannulated obturator with handle	AR-3375-5003
Conical obturator (f)	AR-3375-5007
Switching stick, 4.8 mm x 38 cm	AR-3020-05

### 4 mm 4K Arthroscopes

Product Description	Item Number
4K arthroscope, 30°, 4 mm x 152.5 mm	AR-3350-4031
4K arthroscope, 70°, 4 mm x 156 mm	AR-3350-4071
4K C-mount arthroscope, 30°, 4 mm x 152.5 mm	AR-3355-4031
4K C-mount arthroscope, 70°, 4 mm x 156 mm	AR-3355-4071

### 4 mm Arthroscopes HD

Product Description	Item Number
HD arthroscope, 30°, 4 mm x 152.5 mm (c)	AR-3350-4030
HD arthroscope, 30°, 4 mm x 152.5 mm, reverse light post	AR-3350-4030R
C-mount HD arthroscope, 0°, 4 mm x 152.5 mm	AR-3355-4000
C-mount HD arthroscope, 30°, 4 mm x 152.5 mm, reverse light post	AR-3355-4030R

### Sheaths and Obturators for 4 mm Arthroscopes

Product Description	Item Number
Sheath for 4 mm scopes, single stopcock	AR-3372-4001
Sheath for 4 mm scopes, double stopcock	AR-3372-4002
Conical obturator with handle	AR-3375-4011
Sharp trocar with handle	AR-3375-4012
Conical obturator	AR-3375-4017
Switching stick, 4.6 mm x 38 cm	AR-3020-07
High-flow sheath for 4 mm scopes, tapered, fenestrated, single stopcock	AR-3373-4001
High-flow sheath for 4 mm scopes, tapered, fenestrated, double stopcock (d)	AR-3373-4002
Conical obturator with handle	AR-3375-4001
Sharp trocar with handle	AR-3375-4002
Cannulated obturator with handle	AR-3375-4003
Blunt obturator with handle	AR-3375-4004
Conical obturator	AR-3375-4007
Switching stick, 4 mm x 23 cm	AR-3020
Switching stick, 4 mm x 31 cm	AR-3026
Switching stick, 4 mm x 38 cm	AR-3020-01
Switching stick, 4 mm x 46 cm	AR-3020-02
Switching stick, cannulated, 4 mm x 38 cm	AR-6520-15
Switching stick, cannulated, 4 mm x 38 cm	AR-6520-15
Sheath for 4 mm scopes, fenestrated, single stopcock	AR-3374-4001
Sheath for 4 mm scopes, fenestrated, double stopcock	AR-3374-4002
Conical obturator with handle	AR-3374-4021
Sharp trocar with handle	AR-3375-4022
Conical obturator	AR-3375-4027

### Inflow/Outflow Sheath for 4 mm Arthroscopes

Product Description	Item Number
Inner sheath for inflow/outflow Synergy 4mm scope sheath	AR-3370-4003A
Outer sheath for inflow/outflow Synergy 4mm scope sheath	AR-3370-4003B
Conical obturator	AR-3375-4005

## Arthroscopes and Sheath Systems (Cont.)

### 3 mm Arthroscopes HD

Product Description	Item Number
HD arthroscope, 30°, 3 mm × 138 mm	AR-3350-3030
HD arthroscope, 70°, 3 mm × 140 mm	AR-3350-3070
C-mount HD arthroscope, 30°, 3 mm × 138 mm	AR-3355-3030
C-mount HD arthroscope, 70°, 3 mm × 140 mm	AR-3355-3070

### Sheaths and Obturators for 3 mm Arthroscopes

Product Description	Item Number
Sheath for 3 mm scopes, single stopcock	AR-3372-3001
Sheath for 3 mm scopes, double stopcock	AR-3372-3002
Conical obturator with handle	AR-3375-3001
Sharp trocar with handle	AR-3375-3002
Conical obturator	AR-3375-3007
High-flow sheath for 3 mm scopes, single stopcock	AR-3372-0301
High-flow sheath for 3 mm scopes, double stopcock	AR-3372-0302
Conical obturator with handle	AR-3375-0311
Sharp trocar with handle	AR-3375-0312
Conical obturator	AR-3375-0317
High-flow sheath for 3 mm scopes, tapered, fenestrated, single stopcock	AR-3373-0301
High-flow sheath for 3 mm scopes, tapered, fenestrated, double stopcock	AR-3373-0302
Conical obturator with handle	AR-3375-0301
Sharp trocar with handle	AR-3375-0302
Conical obturator	AR-3375-0307
Switching stick, 3 mm × 38 cm	AR-3020-08

### Inflow/Outflow Sheath for 3 mm Arthroscopes

Product Description	Item Number
Inner sheath for inflow/outflow Synergy 3 mm scope sheath	AR-3370-3003A
Outer sheath for inflow/outflow Synergy 3 mm scope sheath	AR-3370-3003B
Conical obturator	AR-3375-3005
Sharp trocar for in/outflow sheath	AR-3375-3006

### 2.7 mm Arthroscope

Product Description	Item Number
Arthroscope, 30°, 2.7 mm × 72 mm	AR-3350-2730
Arthroscope, 70°, 2.7 mm × 75 mm	AR-3350-2770
C-mount arthroscope, 30°, 2.7 mm × 72 mm	AR-3355-2730
C-mount arthroscope, 70°, 2.7 mm × 75 mm	AR-3355-2770

### Sheaths and Obturators for 2.7 mm Arthroscopes

Product Description	Item Number
Sheath for 2.7 mm scopes, single stopcock	AR-3372-2701
Sheath for 2.7 mm scopes, double stopcock	AR-3372-2702
Conical obturator with handle	AR-3375-2701
Sharp trocar with handle	AR-3375-2702
Conical obturator	AR-3375-2707
Switching stick, 3.3 mm × 25 cm	AR-3020-09

### 2.4 mm Arthroscope

Product Description	Item Number
Arthroscope, 30°, 2.4 mm × 72 mm	AR-3350-2430
Arthroscope, 70°, 2.4 mm × 75 mm	AR-3350-2470
C-mount arthroscope, 30°, 2.4 mm × 72 mm	AR-3355-2430
C-mount arthroscope, 70°, 2.4 mm × 75 mm	AR-3355-2470

### Sheaths and Obturators for 2.4 mm Arthroscopes

Product Description	Item Number
Sheath for 2.4 mm scopes, single stopcock	AR-3372-2401
Sheath for 2.4 mm scopes, double stopcock	AR-3372-2402
Conical obturator with handle	AR-3375-2401
Sharp trocar with handle	AR-3375-2402
Conical obturator	AR-3375-2407

### 1.9 mm Arthroscope

Product Description	Item Number
Arthroscope, 30°, 1.9 mm × 58 mm	AR-3350-1930
C-mount arthroscope, 30°, 1.9 mm × 58 mm	AR-3355-1930

### Sheaths and Obturators for 1.9 mm Arthroscopes

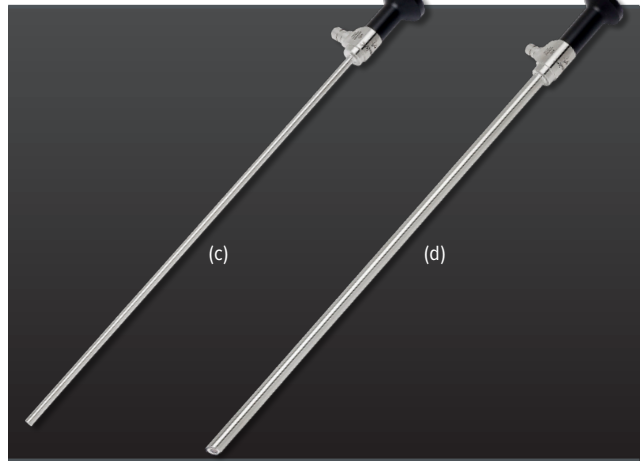
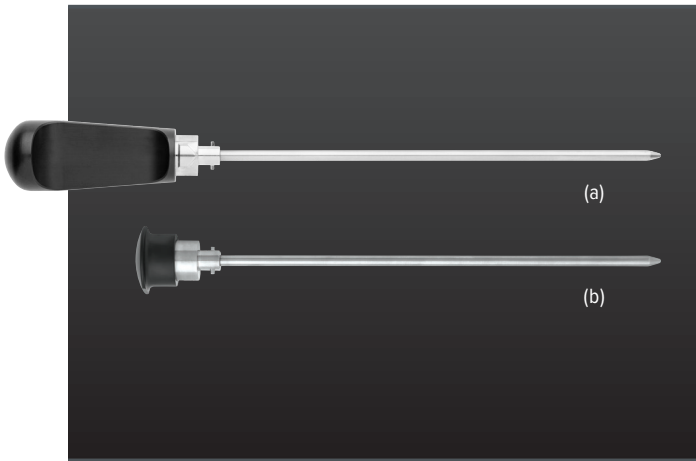
Product Description	Item Number
Sheath for 1.9 mm scope, single stopcock	AR-3372-1901
Sheath for 1.9 mm scope, double stopcock	AR-3372-1902
Conical obturator with handle	AR-3375-1901
Sharp trocar with handle	AR-3375-1902
Conical obturator	AR-3375-1907

### Centerline™ Arthroscope

Product Description	Item Number
Centerline carpal tunnel scope, 30°, 2.9 mm	AR-3350-2930

## Arthroscopes and Sheath Systems (Cont.)

## Laparoscopes



### 3.5 mm Hip Arthroscopes HD

### 3 mm Laparoscopes

Product Description	Item Number
Hip arthroscope, 30°, 3.5 mm × 202 mm	AR-3350-4030H
Hip arthroscope, 70°, 3.5 mm × 204 mm	AR-3350-4070H
C-mount hip arthroscope, 30°, 3.5 mm × 202 mm	AR-3355-4030H
C-mount hip arthroscope, 70°, 3.5 mm × 204 mm	AR-3355-4070H

Product Description	Item Number
Laparoscope, 0°, 3 mm × 207 mm	AR-3351-3000
Laparoscope, 30°, 3 mm × 207 mm	AR-3351-3030

### 3.5 mm Hip Sheaths

### 5.5 mm Laparoscopes 4K

Product Description	Item Number
Sheath for 3.5 mm hip scopes, tapered, fenestrated, single stopcock	AR-3373-4001H
Sheath for 3.5 mm hip scopes, tapered, fenestrated, double stopcock	AR-3373-4002H
Conical obturator with handle (a)	AR-3375-4001H
Sharp trocar with handle	AR-3375-4002H
Cannulated obturator with handle	AR-3375-4003H
Conical obturator (b)	AR-3375-4007H
Switching stick, 3.5 mm × 38 cm	AR-3020-03
Switching stick, 3.5 mm × 46 cm	AR-3020-04
Switching stick, cannulated, 3.5 mm × 38 cm	AR-6520-16

Product Description	Item Number
4K laparoscope, 0°, 5.5 mm × 300 mm (c)	AR-3351-5500
4K laparoscope, 30°, 5.5 mm × 300 mm	AR-3351-5530
4K laparoscope, 45°, 5.5 mm × 302 mm	AR-3351-5545
4K laparoscope, extended length, 0°, 5.5 mm × 424 mm	AR-3351-5500L
4K laparoscope, extended length, 30°, 5.5 mm × 424 mm	AR-3351-5530L
4K laparoscope, extended length, 45°, 5.5 mm × 425 mm	AR-3351-5545L

### Arthroscope Accessories

### 5.5 mm High-Magnification Laparoscopes 4K

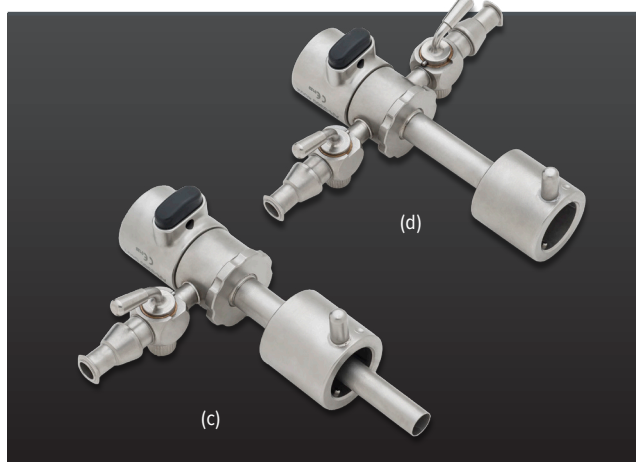
Product Description	Item Number
C-mount wrench	AR-3355-0001

Product Description	Item Number
4K laparoscope, hi-mag, 0°, 5.5 mm × 300 mm	AR-3352-5500
4K laparoscope, hi-mag, 30°, 5.5 mm × 300 mm	AR-3352-5530
4K laparoscope, hi-mag, 45°, 5.5 mm × 302 mm	AR-3352-5545
4K laparoscope, hi-mag, extended length, 0°, 5.5 mm × 424 mm	AR-3352-5500L
4K laparoscope, hi-mag, extended length, 30°, 5.5 mm × 424 mm	AR-3352-5530L
4K laparoscope, hi-mag, extended length, 45°, 5.5 mm × 425 mm	AR-3352-5545L

### 10 mm Laparoscopes 4K

Product Description	Item Number
4K laparoscope, 0°, 10 mm × 330 mm	AR-3351-1000
4K laparoscope, 30°, 10 mm × 330 mm (d)	AR-3351-1030
4K laparoscope, 45°, 10 mm × 333 mm	AR-3351-1045
4K extended length laparoscope, 0°, 10 mm × 455 mm	AR-3351-1000L
4K extended length laparoscope, 30°, 10 mm × 455 mm	AR-3351-1030L
4K extended length laparoscope, 45°, 10 mm × 459 mm	AR-3351-1045L

## Bridges



- Maintain portals while moving the arthroscope
- Connect inflow or outflow tubing
- J-lock type connector
- Single- and double-stopcock options

### Bridges for 4 mm Arthroscopes

Product Description	Item Number
Bridge for 4 mm scope, single stopcock	AR-3380-4001
Bridge for 4 mm scope, double stopcock (d)	AR-3380-4002

### Bridges for Sealed Cannulas

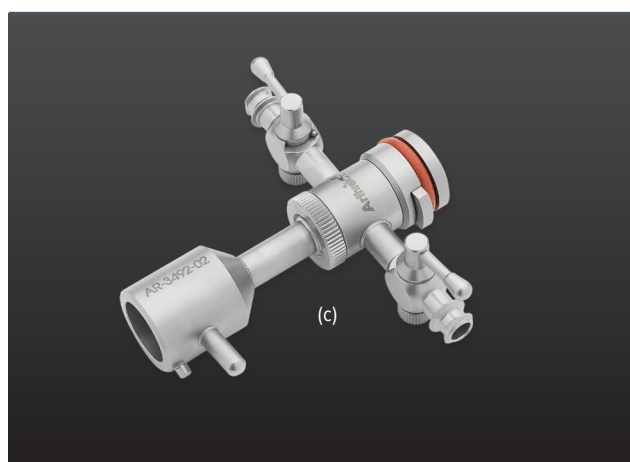
Product Description	Item Number
Sealed bridge for 4 mm scope, single stopcock (c)	AR-3380-0401
Sealed bridge for 4 mm scope, double stopcock	AR-3380-0402

### Bridges for 3 mm Arthroscopes

Product Description	Item Number
Bridge for 3 mm scope, single stopcock	AR-3380-3001
Bridge for 3 mm scope, double stopcock	AR-3380-3002

### Hip Bridges

Product Description	Item Number
Bridge for 3.5 mm hip arthroscope, single stopcock	AR-3380-4001H
Bridge for 3.5 mm hip arthroscope, double stopcock	AR-3380-4002H
Bridge for 3.5 mm hip arthroscope, quick connect, single stopcock	AR-3380-4003H
Bridge for 3.5 mm hip arthroscope, quick connect, double stopcock	AR-3380-4004H



### Competitive Bridges

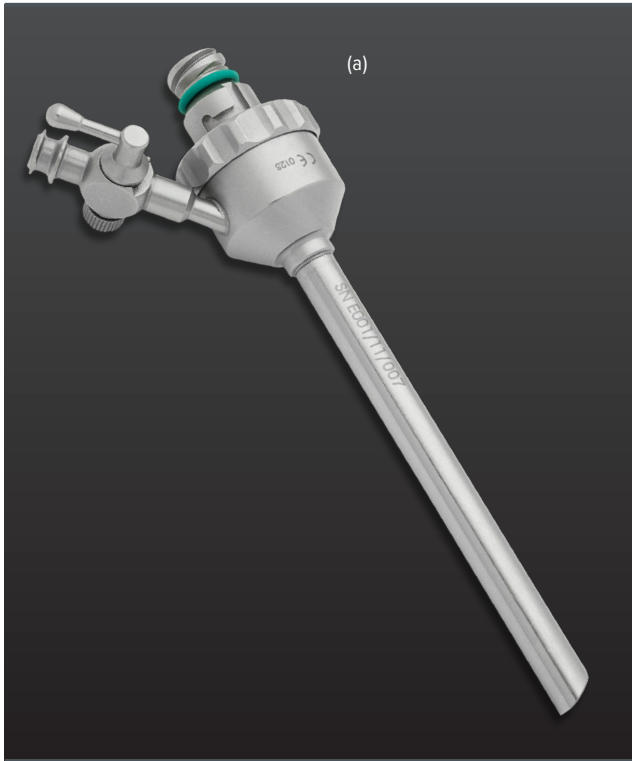
Product Description	Item Number
Bridge, 2 stopcock, rotatable, for Storz	AR-3490-02
Bridge, hip, 2 stopcock, rotatable, for Storz	AR-3490-03
Bridge, 1 stopcock, rotatable, for Stryker	AR-3492-01
Bridge, 2 stopcock, rotatable, for Stryker (c)	AR-3492-02
Bridge, 1 stopcock, rotatable, for Stryker long scope	AR-3492-03
Bridge, 2 stopcock, rotatable, for Stryker long scope	AR-3492-04
Bridge, 2 stopcock, rotatable, for Dyonics	AR-3493-02

### Competitive Bridges for Sealed Cannulas

Product Description	Item Number
Bridge, dam, 1 Stopcock, rotatable, Storz connection	AR-3491-01
Bridge, dam, 2 Stopcock, rotatable, Storz connection	AR-3491-02



## Metal Cannulas



- Reusable metal cannulas
- Maintain portals while moving the arthroscope
- Connect inflow or outflow tubing
- Fenestrated and nonfenestrated options
- J-lock type connector
- Threaded portion can lock into certain shaver blades
- Sealed and unsealed versions

### Cannulas and Obturators for Sealed Bridges

Product Description	Item Number
Cannula, metal, 4.5 mm, for bridge with dam	AR-3415-4.5
Cannula, metal, 5 mm, for bridge with dam	AR-3415-5.0
Cannula, metal, 5.5 mm, for bridge with dam (a)	AR-3415-5.5
Accessory dam for bridge	AR-3491-05
Obturator, blunt, for bridge with dam, 4.5 mm	AR-3416-4.5
Obturator, blunt, for bridge with dam, 5 mm	AR-3416-5.0
Obturator, blunt, for bridge with dam, 5.5 mm	AR-3416-5.5

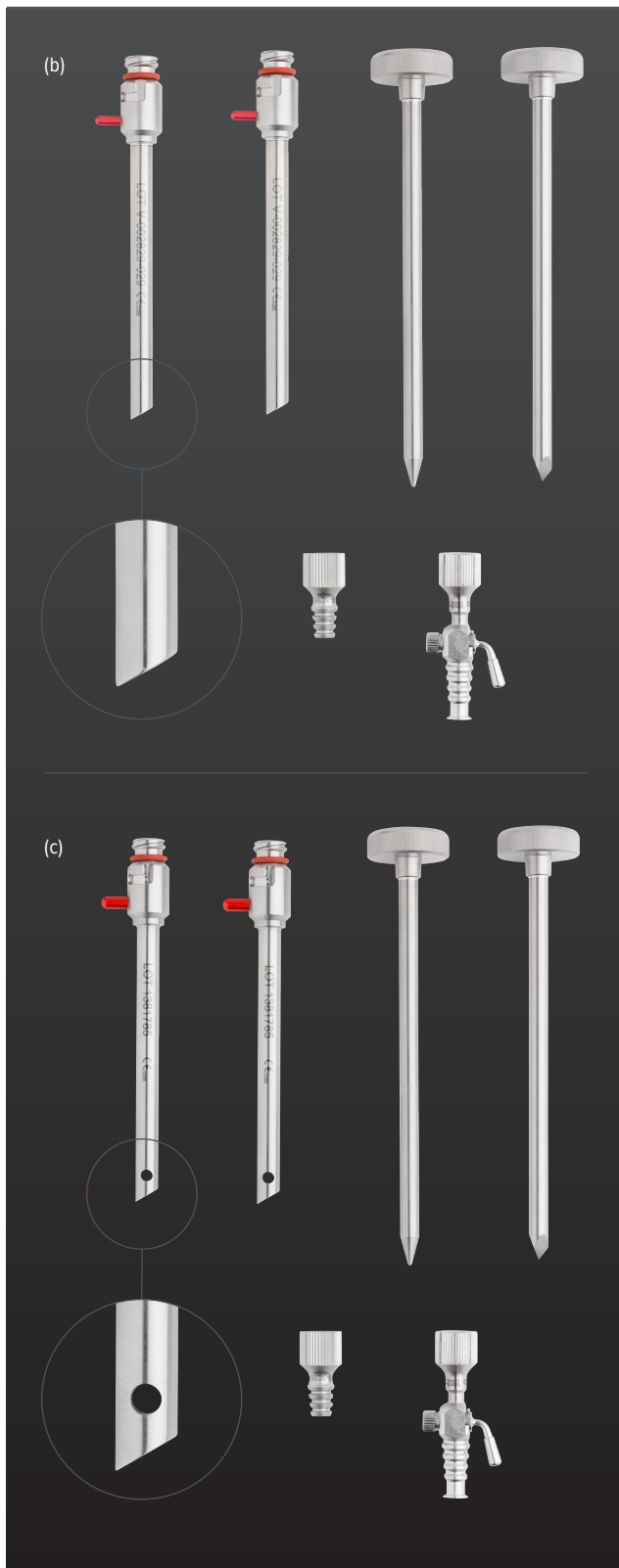
### Hip Cannulas and Obturators

Product Description	Item Number
Cannula, metal, 4.5 mm, hip	AR-3400H-4.5
Cannula, metal, 5 mm, hip	AR-3400H-5.0
Cannula, metal, 5.5 mm, hip	AR-3400H-5.5
Cannula, metal, 6.5 mm, hip	AR-3400H-6.5
Obturator, blunt, 4.5 mm, hip	AR-3402H-4.5
Obturator, blunt, 5 mm, hip	AR-3402H-5.0
Obturator, blunt, 5.5 mm, hip	AR-3402H-5.5
Obturator, blunt, 6.5 mm, hip	AR-3402H-6.5

### Hip Cannulas and Obturators for Quick Connect Hip Bridges

Product Description	Item Number
Cannula, metal, 4.5 mm, hip	AR-3420H-4.5
Cannula, metal, 5 mm, hip	AR-3420H-5.0
Cannula, metal, 5.5 mm, hip	AR-3420H-5.5
Cannula, metal, 6.5 mm, hip	AR-3420H-6.5
Obturator, cannulated, 4.5 mm, hip	AR-3421H-4.5
Obturator, cannulated, 5 mm, hip	AR-3421H-5.0
Obturator, cannulated, 5.5 mm, hip	AR-3421H-5.5
Obturator, cannulated, 6.5 mm, hip	AR-3421H-6.5

## Metal Cannula (Cont.)



### Cannulas and Obturators

Product Description	Item Number
Metal cannula, 3 mm	AR-3420-3.0
Metal cannula, 4.5 mm	AR-3420-4.5
Metal cannula, 4.75 mm	AR-3420-4.75
Metal cannula, 5 mm	AR-3420-5.0
Metal cannula, 5.5 mm	AR-3420-5.5
Metal cannula, 6.5 mm	AR-3420-6.5
Metal cannula, fenestrated, 3 mm	AR-3425-3.0
Metal cannula, fenestrated, 4.5 mm	AR-3425-4.5
Metal cannula, fenestrated, 4.75 mm	AR-3425-4.75
Metal cannula, fenestrated, 5 mm	AR-3425-5.0
Metal cannula, fenestrated, 5.5 mm	AR-3425-5.5
Metal cannula, fenestrated, 6.5 mm	AR-3425-6.5
Blunt obturator, 3 mm	AR-3421-3.0
Blunt obturator, 4.5 mm	AR-3421-4.5
Blunt obturator, 4.75 mm	AR-3421-4.75
Blunt obturator, 5 mm	AR-3421-5.0
Blunt obturator, 5.5 mm	AR-3421-5.5
Blunt obturator, 6.5 mm	AR-3421-6.5
Trocar, 3 mm	AR-3422-3.0
Trocar, 4.5 mm	AR-3422-4.5
Trocar, 4.75 mm	AR-3422-4.75
Trocar, 5 mm	AR-3422-5.0
Trocar, 5.5 mm	AR-3422-5.5
Trocar, 6.6 mm	AR-3422-6.5

### Cannula Sets, Nonfenestrated (AR-3420-X.XS) (b)

Set Includes	Qty.	Item Number
Metal cannula	2	AR-3420-X.X
Blunt obturator	1	AR-3421-X.X
Trocar	1	AR-3422-X.X
Inflow cannula adapter	1	AR-3035
Inflow cannula adapter with stopcock	1	AR-3035L

### Cannula Sets, Fenestrated (AR-3425-X.XS) (c)

Set Includes	Qty.	Item Number
Metal cannula, fenestrated	2	AR-3425-X.X
Blunt obturator	1	AR-3421-X.X
Trocar	1	AR-3422-X.X
Inflow cannula adapter	1	AR-3035
Inflow cannula adapter with stopcock	1	AR-3035L

X.X = 3.0 mm/4.5 mm/4.75 mm/5.0 mm/5.5 mm/6.5 mm



The technologically sophisticated yet simple Synergy<sup>Insufflation</sup> device is used for diagnostic and therapeutic endoscopic procedures to distend the peritoneal cavity by filling it with gas. The device has a volumetric flow rate of up to 50 L to quickly fill the abdomen. The intuitive touch-screen interface allows for quick and easy adjustment to the system. Pressure and volumetric flow rate can be adjusted between high-flow and bariatric modes according to preference. A built-in heating element gives surgeons the ability to heat the gas before it is delivered into the patient. Using our Synergy video management system, the heads-up display feature allows for easy visibility of system settings on the monitor. The console features a venting system and contamination alarm.

Product Description	Item Number
Synergy <sup>Insufflation</sup> console (English, German, French, Spanish) (a)	AR-3290-0004
Insufflation tube set, ISO connector, disposable (pack of 10)	AR-3290-1001
Tube set ISO connector, reusable 20x, autoclavable	AR-3290-1002
Disposable heated tube set (pack of 10)	AR-3290-1007
Heated tube set, reusable 100x, autoclavable	AR-3290-1008
Dual yoke CO <sub>2</sub> switching assembly	002433-00
Filter for insufflation, disposable, sterile, ISO-ISO (pack of 25)	4022/701
ISO barb adapter	2201726
Gas connection for CO <sub>2</sub> bottle gas supply US	2200694
Gas connection for CO <sub>2</sub> house gas supply DISS	2200702
Gas connection for CO <sub>2</sub> house gas supply NIST	2200703
High pressure hose device US bottle US, 1.5 m	2200873
High pressure hose device US bottle DIN, 1.5 m	2200880
High pressure hose device US bottle ISO, 1.5 m	2200881
High pressure hose device US bottle PIN index, 1.5 m	2200875
DISS / DISS hose for house gas supply	2204458
DISS / DISS hose, 3 m	Z5108-01

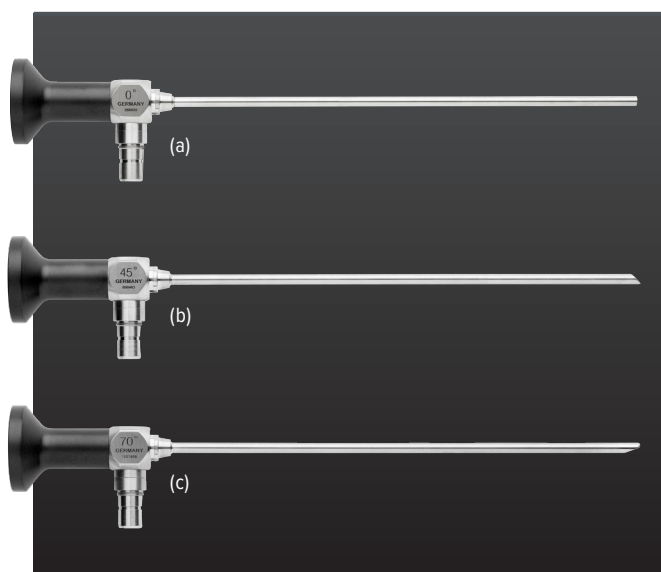
Product Description	Item Number
NIST/DIN hose for house gas supply, 3 m	2200142
NIST/DIN hose for house gas supply, 5 m	2200144
NIST/Norme francaise hose for house gas supply, 3 m	2200146
NIST/Norme francaise hose for house gas supply, 5 m	2200147
NIST/UNI (Italian) hose for house gas supply, 3 m	2200149
NIST/UNI (Italian) hose for house gas supply, 5 m	2200150
NIST/AGA hose for house gas supply, 3 m	2200138
NIST/AGA hose for house gas supply, 5 m	2200139
Power supply cord US, 2.5 m	2201313
Power supply cord Euro, 2 m	2201307
Power supply cord UK, 2 m	2201310

### Synergy Accessories

Product Description	Item Number
Secure key—USB 2.0 flash drive 4GB	AR-3200-1010
Secure key—USB 2.0 flash drive 16GB	AR-3200-1012
Synergy system integration cable kit	AR-3200-1040
Input/output 1080p video signal converter	AR-3201-1005
Wireless router	AR-3210-1006
C-mount HD optical zoom coupler	AR-3210-0006
C-mount right angle coupler	AR-3210-0009
Wireless DVI kit	AR-3250-0001
DVI input/output video signal converter	90T0009
SDI input/output video signal converter	90T0011
VGA input/output video signal converter	90T0013
S-Video input/output video signal converter	90T0015
Display port cable, 3 m	PI5000-030
Fiber patch cable, 3 m	255413
Synergy Matrix™ license key for Synergy <sup>UHD4™</sup> console	C9826148*

\* Two pieces needed per console.

## HD Endoscopes



Product Description	Item Number
HD Endoscope, 0°, 4 mm × 174 mm (a)	AR-3000AW
HD Endoscope, 30°, 4 mm × 176 mm	AR-3030AW
HD Endoscope, 45°, 4 mm × 176 mm (b)	AR-3045AW
HD Endoscope, 70°, 4 mm × 177 mm	AR-3070AW
HD Endoscope, 30°, 4 mm × 176 mm, reverse light post	AR-3030AWR
HD Endoscope, 45°, 4 mm × 176 mm, reverse light post	AR-3045AWR
HD Endoscope, 70°, 4 mm × 177 mm, reverse light post (c)	AR-3070AWR

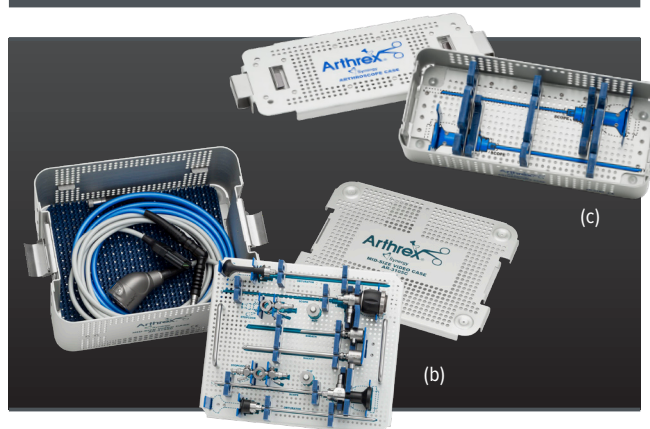
## Scope and Sheath Accessories

Product Description	Item Number
Scope paste (rubbing compound/diamond paste)	8101001000
Stopcock assembly nut	8300018997
Stopcock handle (original design)	8300019001
Lubricant for stopcocks, Synergy	8300022404
Stopcock nut for handle	8300028607
Stopcock handle (new design)	8300028608
Replacement O-ring kit for Synergy C-mount 5/per kit (black)	8300020859
Replacement O-ring kit for Synergy stopcock 5 per kit (orange)	8300020860
Replacement O-ring kit for bridge 5 per kit (clear)	8300026707
Black O-ring for metal cannula (5/pack)	8300031950
Replacement O-ring for outflow sheath (5/pack)	8300037687
Wolf light post adapter for scope	89530738
Storz light post adapter for scope	89542801

## Competitive Sheaths

Product Description	Item Number
Sheath, continuous flow, 2 stopcocks, rotatable for Storz	AR-3300
Obturator, blunt for AR-3300 sheath	AR-3301
Sheath, 2 stopcocks, tapered, fenestrated for Stryker	AR-3310-02
Obturator, blunt for AR-3310 sheath	AR-3311
Trocar for AR-3310 sheath	AR-3312
Sheath, 2 stopcocks, tapered, fenestrated for Dyonics	AR-3315-02
Obturator, blunt for AR-3315 sheath	AR-3316
Sheath, hi-flow, 2 stopcocks, rotatable, for Storz, tapered/fen	AR-3320-02
Sheath, hi-flow, 1 stopcocks, rotatable, for Storz, tapered/fen	AR-3320-01
Obturator, blunt, for AR-3320 series Storz sheath	AR-3321
Obturator, cannulated, for AR-3320 series Storz sheath	AR-3323
Trocar, for AR-3320 series Storz sheath	AR-3322
Obturator, conical, for AR-3320 series Storz sheath	AR-3324

## Instrument Cases



Product Description	Item Number
Video instrument tray	AR-3101C
Scope system case	AR-3102C
Tray for laparoscopes	AR-3103C
Tray for extended length laparoscopes	AR-3104C
Midsize video instrument case (b)	AR-3105C
Tray for camera head	AR-3106C
Hip scope set instrument case	AR-3200C
Arthroscope case, for 2 scopes (c)	AR-3100

## Video Cart

The video cart features a modular shelf design to conform to any setup need. The power cords are prewired and cable management can be accomplished on either side of the cart. The large wheels provide easy OR mobility, as do the handles on the front and rear of the cart.

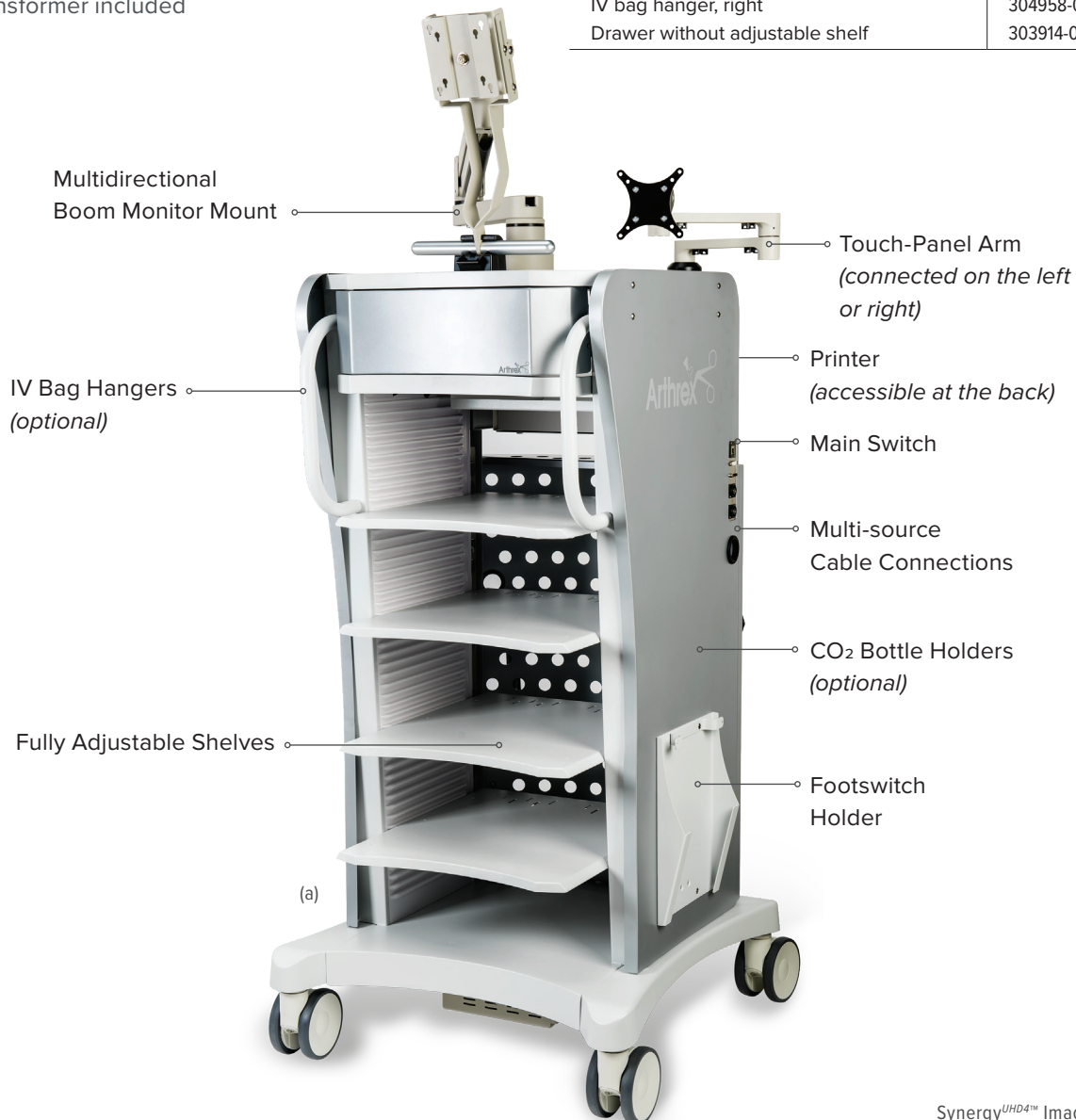
The main monitor boom arm allows the monitor 38 inches of reach and 15 inches of vertical adjustment. The tension of the arm is adjustable to hold 19" to 32" monitors and it also features a handle and locking position for use during movement of the cart. The secondary arm can be mounted to either side of the top shelf, allowing customization to fit the OR staff's needs.

The cart features a top shelf that holds the Sony UPDR80MD printer that faces the rear of the cart. This allows the staff to access prints away from the sterile field.

The 002317-00 includes the cart with transformer, 5 shelves, 1 drawer, 1 foot pedal holder, 1 secondary arm, and a main monitor boom arm.

- Multiple configurations
- Adjustable shelves
- Printer access from rear of cart on top shelf
- 38" extended boom arm
- 200° rotatable touch-panel arm
- Transformer included

Product Description	Item Number
Video cart, extended boom arm (includes Touch panel arm and footswitch holder) (a)	002317-00
Video cart with static mount	002386-00
Shelf for monitor stand	002361-00
CO <sub>2</sub> bottle holder with latch	002321-00
Pull-out pump shelf	002318-00
IV bag hanger, left	304957-00
IV bag hanger, right	304958-00
Drawer without adjustable shelf	303914-00

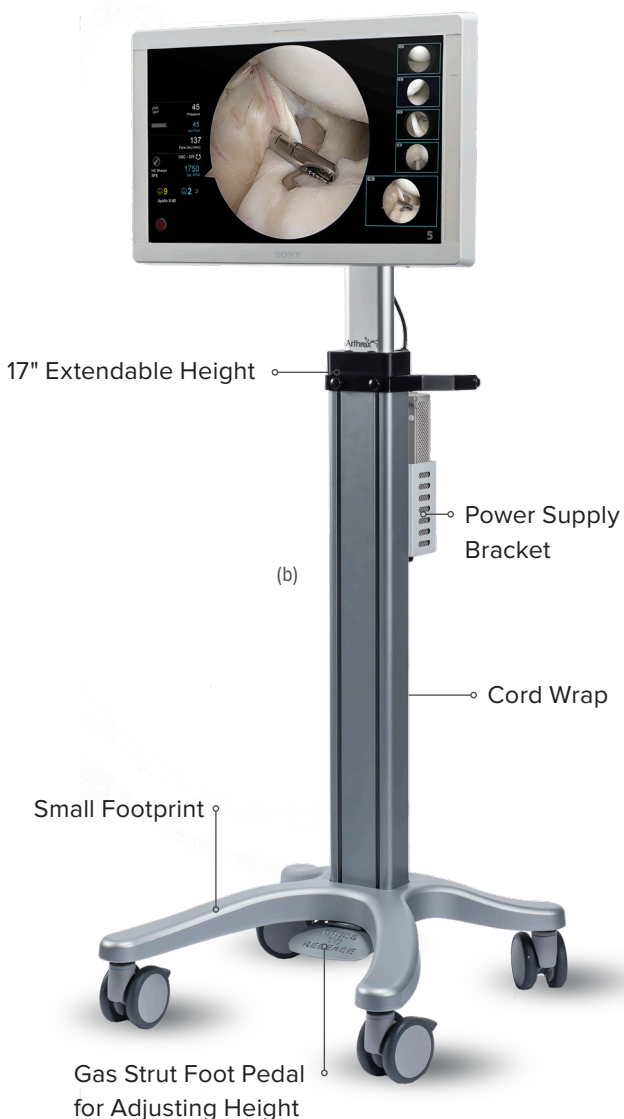




## Secondary Monitor Stand

- Small footprint
- Adjustable monitor height
- Large casters for ease of mobility
- Locking casters
- Dimensions 22" (w) × 57.5" (h) × 23" (l)

Product Description	Item Number
Arthrex secondary monitor stand (b)	304830-00
Shelf for monitor stand	304813-01
4 outlet power strip, 15 ft cord	002313-00
Tablet arm, single link, for stand	304855-00
Caster, 4-in twin wheel, brake	703129-15
Caster, 4-in twin wheel, swivel	703128-15
Adjustable shelf for stand	304813-01



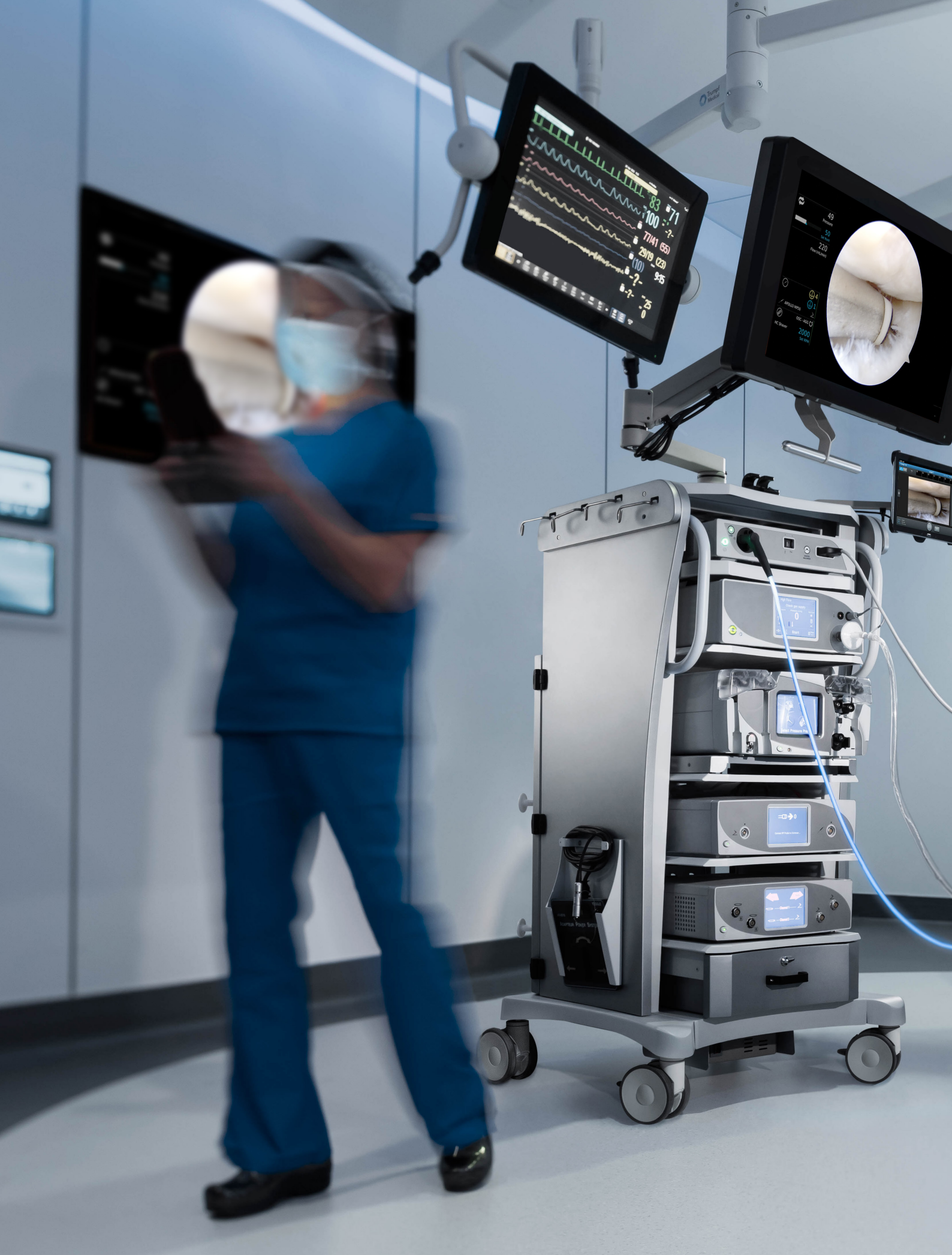
Video Cart Accessories	Item Number
Video cart version II w/ extended boom (a)	002317-00
Video cart version II w/ static mount	02386-00
Fixed printer shelf for version II	304920-01
IV bag hanger, left for video cart version II	304957-00
IV bag hanger, right for video cart version II	304958-00
Power strip assembly for video cart version II	304810-00
Touch panel arm, version II	304837-00
Home position bracket, video cart version II	304871-00
Side panel, left, for video cart version II	304902-01
Side panel, right, for video cart version II	304903-01
Rear handle for video cart version II	304911-01
Rear door for video cart version II	304913-00
Front cover for video cart version II	304937-00
Cable connection assembly for video cart version II	305102-00
Casters, 5-in, locking for video cart version II	703412-15
Rubber grommet kit, for video cart version II	002356-00
Arthrex side logo, 3.55" (h) × 12.00" (w)	505050-00
Arthrex front logo, 0.75" (h) × 2.75" (w)	505051-00
Adjustable shelf	002361-00
CO <sub>2</sub> bottle holder with latch	002321-00
Pull-out pump shelf, version II	002318-00
Drawer, w/ adjustable shelf	002319-00
Drawer, w/o adjustable shelf	303914-00
Front handle, universal (left/right)	304955-01
Foot pedal holder w/ cord wrap brackets	305344-00
Power cables, domestic, 3 ft, qty. 7	002363-00
Rear door hinge kit (100 lb hinges with hardware), qty. 3	305304-00
Rear door compression latch, lockable	703140-15
Boom arm, 40 lb, version II	304856-00
Keyboard tray, w/o shelf	303924-00
Boom arm, 40 lb, version I	304856-00
Replacement static boom monitor mount	002382-00
Touch panel arm, top mount	304837-00
Touch-up paint, gray, 6 oz bottle	702465-20
Touch-up paint, nickel, 6 oz bottle	702481-20
Sticker logo, side, for video cart	505050-00
Sticker logo, front, for video cart	505051-00
Home position bracket	304871-00
Drawer, w/o adjustable shelf	304914-00
Isolation transformer assembly, 120 VAC, 11.3 amp	002305-00
Front handle	002340-00
Cable kit, service part	304373-00



## Printer and Recorder



Product Description	Item Number
Sony printer (a)	UP-DR80MD
Sony printer w/wireless print system (printer and wireless combined)	UP-DR80MD/WU
Sony Wireless print system accessory	UPA-WU10
Media pack, letter size paper and ribbon	UPC-R81MD
Sony 4K video recorder	HVO-4000MT
Sony media tray, part 1 of 1	A1643186N
Sony media tray, part 2 of 2	A1643192H
Sony paper holder, left side (blue)	A5002529A
Sony paper holder, right side (pink)	A5002530A









This description of technique is provided as an educational tool and clinical aid to assist properly licensed medical professionals in the usage of specific Arthrex products. As part of this professional usage, the medical professional must use their professional judgment in making any final determinations in product usage and technique. In doing so, the medical professional should rely on their own training and experience and should conduct a thorough review of pertinent medical literature and the product's directions for use. Postoperative management is patient-specific and dependent on the treating professional's assessment. Individual results will vary and not all patients will experience the same postoperative activity level or outcomes.

**[arthrex.com](http://arthrex.com)**