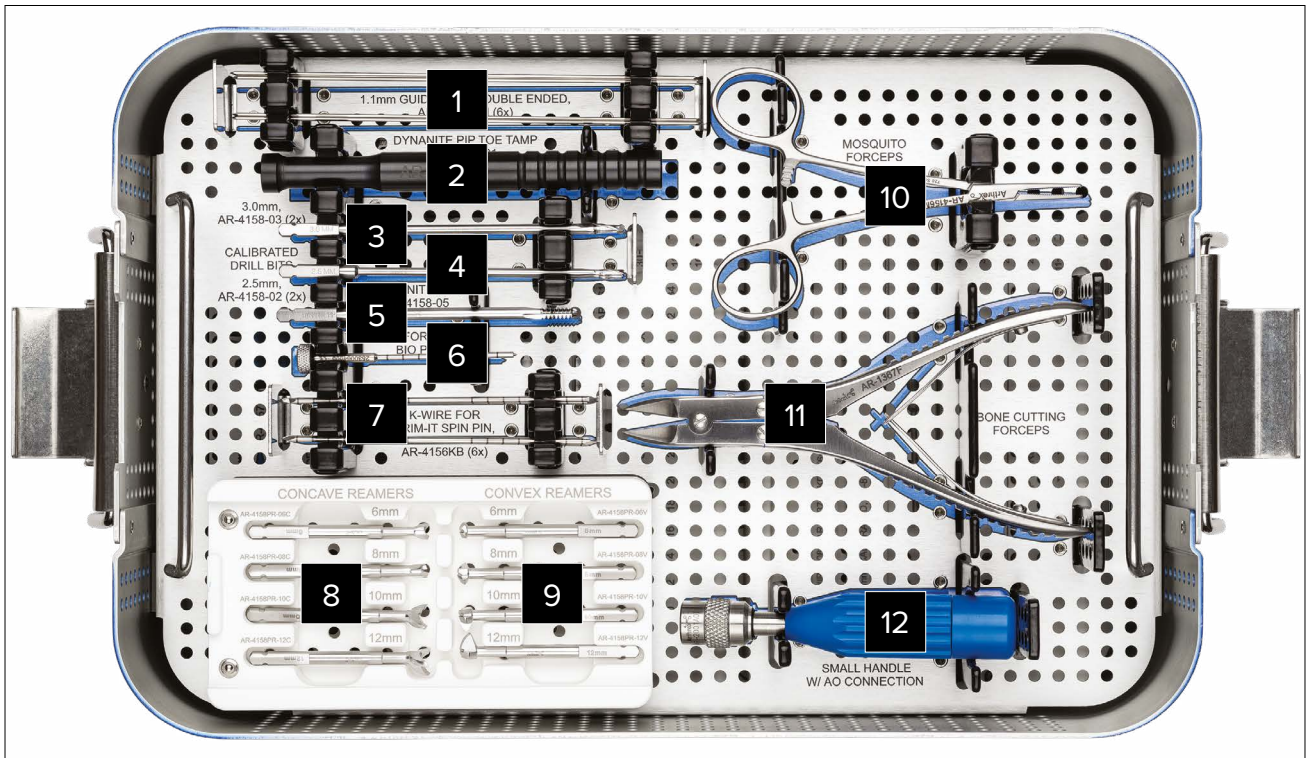


# Digital Repair System Instrument Set

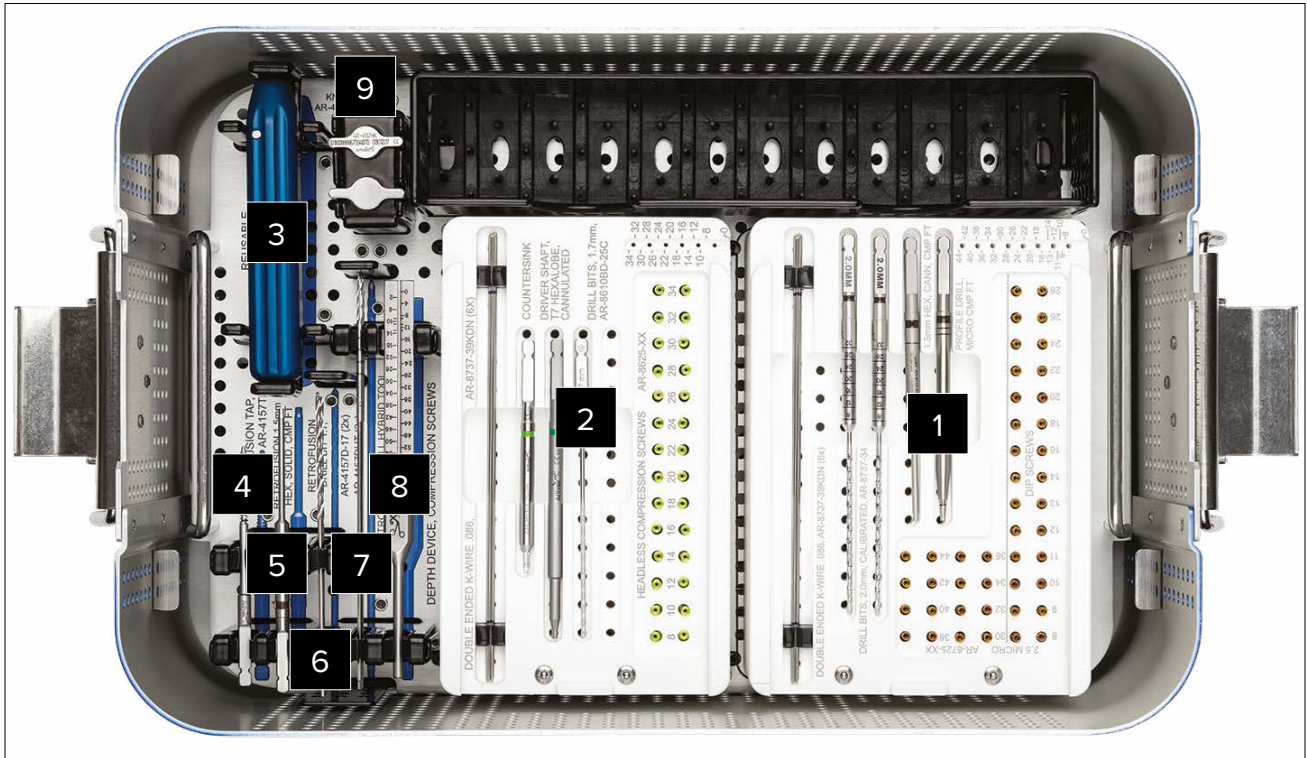
AR-4158HTS



Pic.	Item Number	Qty.	Description
1	AR-8933KDN		Guidewire, double-ended, 1.1 mm
2	AR-4158-01		DynaNite® PIP Toe Tamp
3	AR-4158-03		Drill Bit, calibrated, 3 mm
4	AR-4158-02		Drill Bit, calibrated, 2.5 mm
5	AR-4158-05		DynaNite Tap
6	AR-4152TB		Tamp for 2.0 mm Bio-Pin
7	AR-4156KB		K-Wire for TRIM-IT Spin Pin™
8	AR-4158PR-XXC		Phalangeal Reamers, concave
9	AR-4158PR-XXV		Phalangeal Reamers, convex
10	AR-4156M		Mosquito Forceps
11	AR-1367F		Bone Cutting Forceps
12	AR-2001AOT		Handle, small, AO

# Digital Repair System Instrument Set

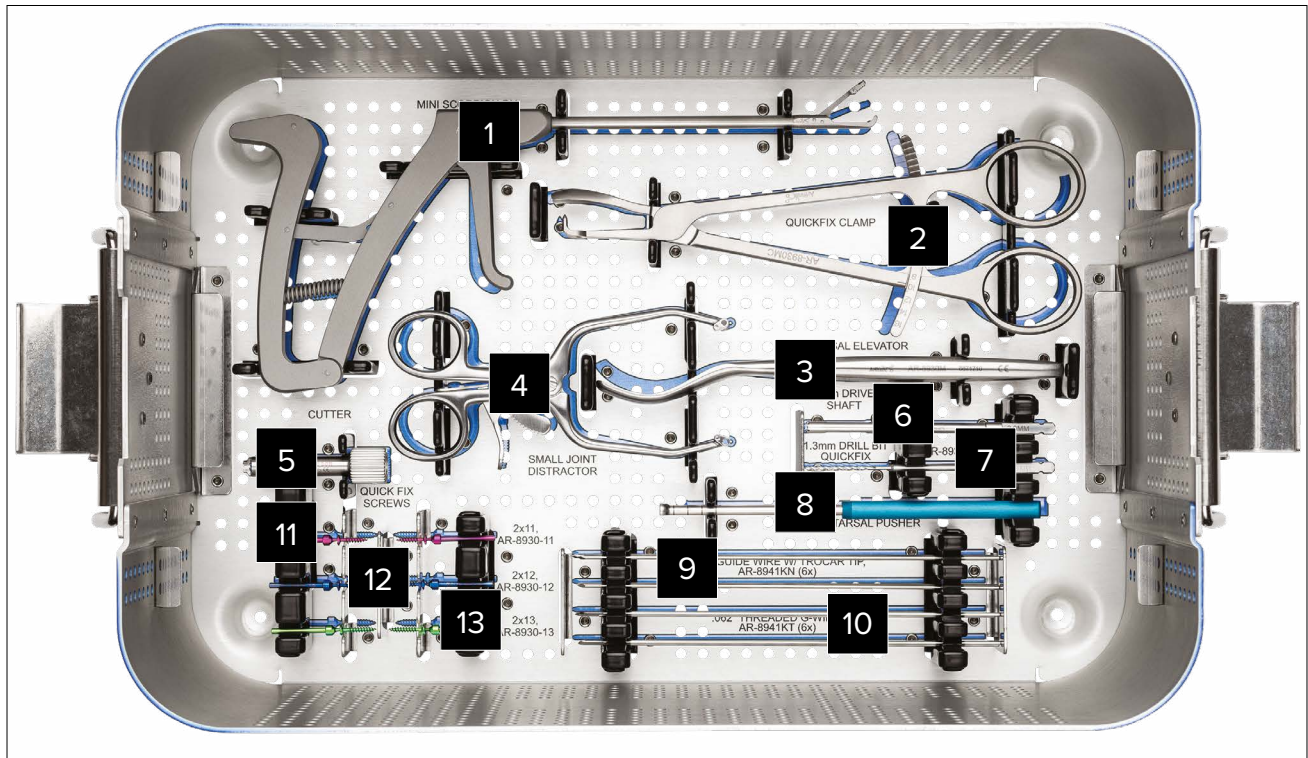
AR-4158HTS



Pic.	Item Number	Qty.	Description
1	AR-8725-08H-44H		2.5 Micro Compression FT™ Screws
2	AR-8625-08-34		2.5 mm Headless Compression PT Screws
3	AR-4157H		Reusable RetroFusion™ Handle Assembly
4	AR-4157T		RetroFusion Tap, 3 mm
5	AR-8737-45		RetroFusion Hex Driver, solid, 1.5 mm
6	AR-4157D-17		RetroFusion Drill Bit, 1.7 mm
7	AR-4157DHT		RetroFusion Hybrid Tool
8	AR-8737-51		Depth Device
9	AR-4157-HK		Spare Knob for RetroFusion Handle

# Digital Repair System Instrument Set

AR-4158HTS



Pic.	Item Number	Qty.	Description
1	AR-8999		Mini Scorpion™ DX Suture Passer
2	AR-8930MC		QuickFix™ Clamp
3	AR-8930M		McGlamry Metatarsal Elevator, 11 mm
4	AR-8690SJD		Small Joint Distractor
5	AR-8930R		Cutter, QuickFix screw, 2 mm
6	AR-8930D		Driver, for QuickFix screws, 2 mm
7	AR-8930D-13		Drill Bit for 2.0 mm QuickFix screw, 1.3 mm
8	AR-8690P		Metatarsal Pusher
9	AR-8941KN		Guidewire w/ Trocar Tip, .062 in
10	AR-8941KT		Guidewire, threaded, .062 in
11	AR-8930-11		QuickFix Screws, 2 mm × 11 mm
12	AR-8930-12		QuickFix Screws, 2 mm × 12 mm
13	AR-8930-13		QuickFix Screws, 2 mm × 13 mm

Date of Surgery:

Surgeon Name:

Account:

Representative Contact Information:

Set Total:

Miscellaneous Notes:

To obtain a copy of a product's directions for use (DFU), which includes sterilization instructions, please visit our website at [www.arthrex.com/edfu](http://www.arthrex.com/edfu) or contact your local representative.

**[www.arthrex.com](http://www.arthrex.com)**

© 2020 Arthrex, Inc. All rights reserved.

