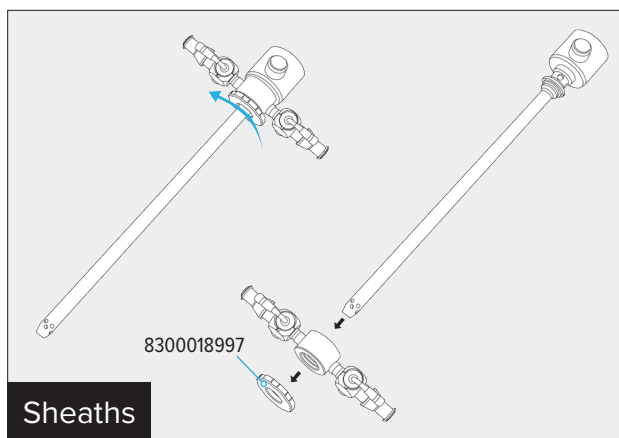
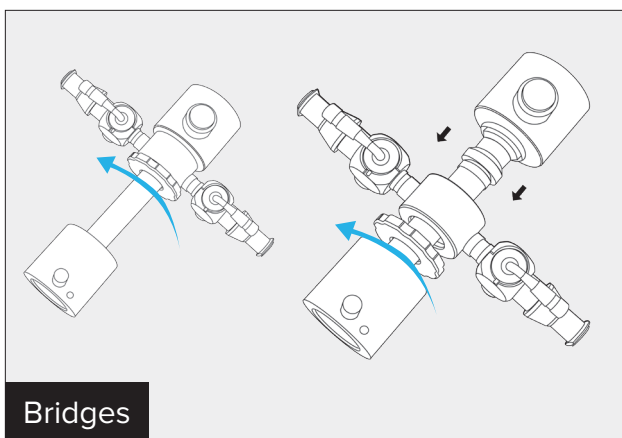
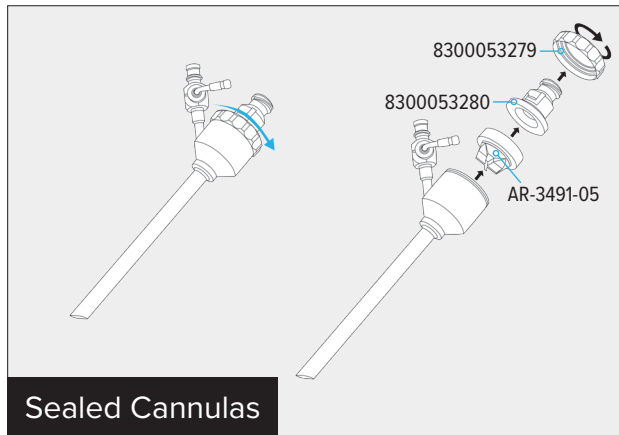
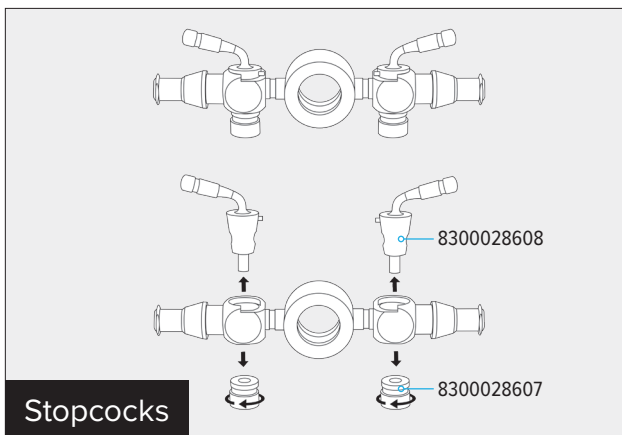


Disassembly/Assembly Guide for Synergy Accessories

Quick Guide



Product Description	Item Number
Stopcock Nut	8300028607
Stopcock Handle	8300028608
Stopcock Assembly Nut	8300018997
O-Ring for Stopcocks	8300020860
Lubricant for Stopcocks	8300022404
Sealed Cannula Nut	8300053279
J-Lock Stem	8300053280
Replacement Seal (5/bag)	AR-3491-05
O-Ring for Metal Cannulas (5/bag)	8300031950

This description of technique is provided as an educational tool and clinical aid to assist properly licensed medical professionals in the usage of specific Arthrex products. As part of this professional usage, the medical professional must use their professional judgment in making any final determinations in product usage and technique. In doing so, the medical professional should rely on their own training and experience and should conduct a thorough review of pertinent medical literature and the product's directions for use. Postoperative management is patient-specific and dependent on the treating professional's assessment. Individual results will vary and not all patients will experience the same postoperative activity level or outcomes.