



OsteoAuger™ Bone Graft Harvesting System

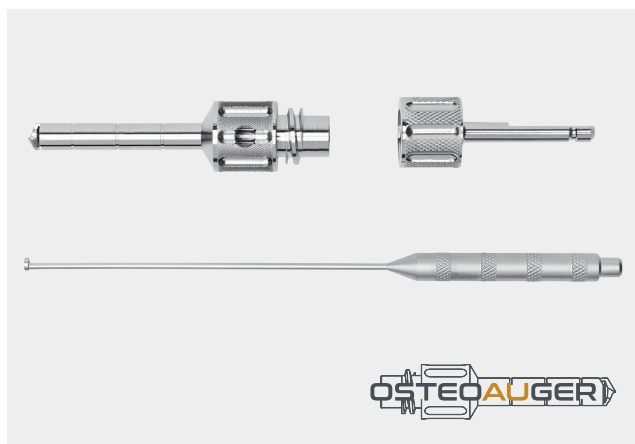
Product Highlight

The **OsteoAuger™ bone graft harvesting system** provides surgeons with a solution to quickly and effectively obtain morselized autogenous bone with a fully sterile system. Autologous bone naturally contains a patient's own viable cells, providing a bone graft with cell, signal, and scaffold that can be placed at the site of a fracture or fusion.¹

The OsteoAuger system can be used to recover bone at common harvest sites including the iliac crest, calcaneus, distal and proximal tibia, and distal radius. The system is available in 6 mm, 8 mm, and 10 mm diameters to accommodate the various harvest sites and desired graft volume.

Features and Benefits

- Fully sterile system
- Pilot hole creation not required
- AO Quick Connect adaptor
- Morselizing cutting tip
- Available in three sizes (6 mm, 8 mm, and 10 mm)
- Plunger provided for simplified graft removal



Ordering Information

OsteoAuger Bone Graft Harvesting System

Product Description	Part Number
OsteoAuger Bone Graft Harvesting System, 6 mm	ABS-8000-06
OsteoAuger Bone Graft Harvesting System, 8 mm	ABS-8000-08
OsteoAuger Bone Graft Harvesting System, 10 mm	ABS-8000-10

Reference

1. Baldwin P, Li DJ, Auston DA, Mir HS, Yoon RS, Koval KJ. Autograft, allograft, and bone graft substitutes: clinical evidence and indications for use in the setting of orthopaedic trauma surgery. *J Orthop Trauma*. 2019;33(4):203-213. doi:10.1097/BOT.0000000000001420



arthrex.com

© 2022 Arthrex, Inc. All rights reserved. FL1-000501-en-US_B

